

Double-Link Beam Load Cell



FEATURES

- Capacities: 50K to 100Klbs
- Nickel plated element
- Certified to OIML R60 3000d and NTEP class III L 10000 divisions
- Sealing: IP67 (DIN 40.050)
- Low profile, self-checking and self-centering
- Optimised design specially for weigh-bridge use
- Optional conduit adapter

OPTIONAL FEATURE

- FM approved for use in potentially explosive atmosphere

DESCRIPTION

The 5223 is a hermetically sealed, end loaded, centre supported double ended shear beam.

This product is suitable for a wide range of truck and rail scales. It is designed to use parallel link loading, considered by many weighing experts to be advantageous when compared to other loading techniques.

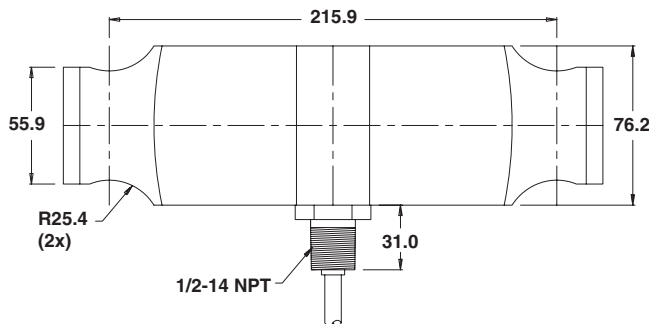
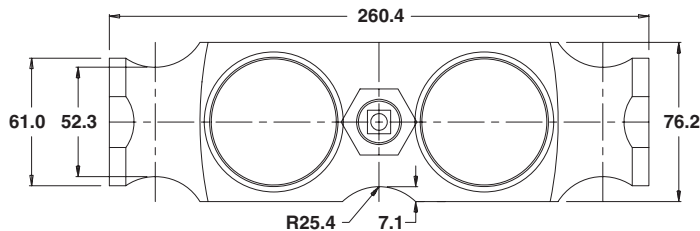
Fully welded stainless steel seals ensure high environmental integrity and provided that additional cable sealing is used, occasional submersion can occur without damage.

These products meet the stringent Weights and Measures requirements throughout Europe.

APPLICATIONS

- Truck scales
- Railroad track scales
- "Legal for Trade" tank, bin and hopper weighing

OUTLINE DIMENSIONS in millimeters



Cable specifications:

- Cable length: 12 m
- Excitation + Red
- Excitation - Black
- Output + Green
- Output - White
- Shield Transparent

Cable screen is not connected to load cell body. Performance may be affected if load cell cables are shortened.

**SPECIFICATIONS**

PARAMETER	VALUE			UNIT
Standard capacities (E_{max})	50, 65, 100			Klbs
Accuracy class according to OIML R-60 / NTEP	NTEP III L	Non-Approved	C3	
Maximum no. of verification intervals (n_{ic})	10000		3000	
Minimum verification interval (V_{min})			$E_{max}/10000$	
Rated output (=S)	3			mV/V
Rated output tolerance	0.003			\pm mV/V
Zero balance	1.0			\pm % FSO
Combined error	0.0200	0.0300	0.0200	\pm % FSO
Non-repeatability	0.0100	0.0100	0.0100	\pm % FSO
Minimum dead load output return	0.0250	0.0300	0.0167	\pm % applied load
Creep error (30 minutes)		0.0300	0.0245	\pm % applied load
Creep error (20 minutes)	0.0027	0.0045		\pm % applied load
Temperature effect on minimum dead load output	(0.0008)	0.0140	0.0070	\pm % FSO/5°C (°F)
Temperature effect on sensitivity	(0.0010)	0.0070	0.0045	\pm % applied load/5°C (°F)
Minimum dead load	0			% E_{max}
Maximum safe over load	150			% E_{max}
Ultimate over load	300			% E_{max}
Maximum safe side load	100			% E_{max}
Deflection at E_{max}	0.5/ 0.6/ 0.9			mm
Excitation voltage	5 to 18			V
Maximum excitation voltage	20			V
Input resistance	700 \pm 7			Ω
Output resistance	700 \pm 7			Ω
Insulation resistance	\geq 5000			M Ω
Compensated temperature range	-10 to +40			°C
Operating temperature range	-40 to +80			°C
Storage temperature range	-40 to +90			°C
Element material (DIN)	Nickel plated alloy steel			
Sealing (DIN 40.050 / EN60.529)	IP67			

FSO-Full Scale Output

VISHAY TRANSDUCERS (VT) SALES OFFICES

VT Americas
City of Industry, CA
PH: +1-626-858-8899
FAX: +1-626-332-3418
vt.us@vishaymg.com

VT Netherlands
Breda
PH: +31-76-548-0700
FAX: +31-76-541-2854
vt.nl@vishaymg.com

VMG UK
Basingstoke
PH: +44-125-646-2131
FAX: +44-125-647-1441
vt.uk@vishaymg.com

VMG Israel
Netanya
PH: +972-9-863-8888
FAX: +972-9-863-8800
vt.il@vishaymg.com

VMG Germany
Heilbronn
PH: +49-7131-3901-260
FAX: +49-7131-3901-2666
vt.de@vishaymg.com

VT China
Tianjin
PH: +86-22-2835-3503
FAX: +86-22-2835-7261
vt.prc@vishaymg.com

VMG France
Chartres
PH: +33-2-37-33-31-20
FAX: +33-2-37-33-31-29
vt.fr@vishaymg.com

VT Taiwan*
Taipei
PH: +886-2-2696-0168
FAX: +886-2-2696-4965
vt.roc@vishaymg.com
*Asia except China