

Low-Voltage, 0.4 Ω R_{ON} , Single SPST Analog Switch

DESCRIPTION

The DG2715, DG2716 are low voltage, single supply, dual SPST analog switches. Designed for high performance switching of analog signals, the DG2715/2716 provide low on-resistance (0.4 Ω at + 2.7 V), fast speed (t_{ON} , t_{OFF} at 17 ns and 14 ns) and the ability to handle signals over the entire analog voltage range.

When operated on a + 3 V supply, control pins are compatible with 1.8 V digital logic. Additionally, on-resistance flatness and matching (0.05 Ω and 0.1 Ω) offer high accuracy between channels.

Built on Vishay Siliconix's low voltage submicron CMOS process, the DG2715, DG2716 were designed to offer solutions that extend beyond audio/video functions, to providing the performance required for today's demanding mixed-signal switching in portable applications.

The DG2715 contains a normally open (NO) switch, and the DG2716 contains a normally closed switch. An epitaxial layer prevents latch-up. All switches conduct equally well in both directions when on, and block up to the power supply level when off.

As a committed partner to the community and the environment, Vishay Siliconix manufactures this product with the lead (Pb)-free device terminations. For analog switching products manufactured with 100 % matte tin device terminations, the lead (Pb)-free "-E3" suffix is being used as a designator.

FEATURES

- Low voltage operation (1.6 V to 3.6 V)
- Low on-resistance - $R_{DS(on)}$: 0.4 Ω at 2.7 V
- Off-isolation: - 57 dB at 1 MHz
- Fast switching: 25 ns t_{ON}
- Low charge injection - Q_{INJ} : 9 pC
- Low power consumption: < 1 μ W
- SC-70 5-lead package


RoHS
COMPLIANT

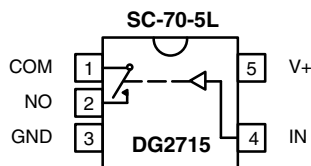
BENEFITS

- High accuracy
- High bandwidth
- TTL and low voltage logic compatibility
- Low power consumption
- Reduced PCB space

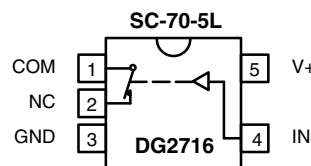
APPLICATIONS

- Mixed signal routing
- Portable and battery operated systems
- Low voltage data acquisition
- Modems
- PCMCIA cards

FUNCTIONAL BLOCK DIAGRAM AND PIN CONFIGURATION



Top View
Device Marking: F7



Top View
Device Marking: F6

TRUTH TABLE (DG2715)

| Logic | Switch |
|-------|--------|
| 0 | OFF |
| 1 | ON |

TRUTH TABLE (DG2716)

| Logic | Switch |
|-------|--------|
| 0 | ON |
| 1 | OFF |

ORDERING INFORMATION

| Temp. Range | Package | Part Number |
|------------------|---------|----------------|
| - 40 °C to 85 °C | SC70-5 | DG2715DL-T1-E3 |
| | | DG2716DL-T1-E3 |

| ABSOLUTE MAXIMUM RATINGS | | | |
|--|--------------------------|-----------------------|------|
| Parameter | | Limit | Unit |
| Reference V+ to GND | | - 0.3 to + 4 | V |
| IN, COM, NC, NO ^a | | - 0.3 to (V+ + 0.3 V) | |
| Continuous Current (NO, NC and COM Pins) | | ± 200 | mA |
| Peak Current (Pulsed at 1 ms, 10 % duty cycle) | | ± 300 | |
| Storage Temperature | (D Suffix) | - 65 to 150 | °C |
| Power Dissipation (Packages) ^b | 5-Pin SC-70 ^c | 250 | mW |

Notes:

- a. Signals on NC, NO, or COM or IN exceeding V+ will be clamped by internal diodes. Limit forward diode current to maximum current ratings.
- b. All leads welded or soldered to PC board.
- c. Derate 3.1 mW/°C above 70 °C.

| SPECIFICATIONS (V+ = 1.8 V) | | | | | | | |
|---|---|--|---------------------------|----------------------------|-------------------|-------------------|------|
| Parameter | Symbol | Test Conditions Otherwise Unless Specified V+ = 1.8 V, ± 10 %, V _{IN} = 0.4 V or 1.0 V ^e | Temp. ^a | Limits - 40 °C to 85 °C | | | Unit |
| | | | | Min. ^b | Typ. ^c | Max. ^b | |
| Analog Switch | | | | | | | |
| Analog Signal Range ^d | V _{NO} , V _{NC} , V _{COM} | | Full | 0 | | V+ | V |
| On-Resistance | R _{ON} | V+ = 1.8 V, V _{COM} = 0.9 V I _{NO} , I _{NC} = 10 mA | Room Full ^d | | 0.7 | 1.5 2.0 | Ω |
| Switch Off Leakage Current ^f | I _{NO(off)} I _{NC(off)} | V+ = 2.0 V, V _{NO} , V _{NC} = 0.2 V/1.8 V, V _{COM} = 1.8 V/0.2 V | Room Full ^d | - 1 - 10 | | 1 10 | nA |
| | I _{COM(off)} | | Room Full ^d | - 1 - 10 | | 1 10 | |
| Channel-On Leakage Current ^f | I _{COM(on)} | V+ = 2.0 V, V _{NO} , V _{NC} = V _{COM} = 0.2 V/1.8 V | Room Full ^d | - 1 - 10 | | 1 10 | |
| Digital Control | | | | | | | |
| Input High Voltage | V _{INH} | | Full | 1.0 | | | V |
| Input Low Voltage | V _{INL} | | Full | | | 0.4 | |
| Input Capacitance ^d | C _{in} | | Full | | 4 | | pF |
| Input Current ^f | I _{INL} or I _{INH} | V _{IN} = 0 or V+ | Full | - 1 | | 1 | μA |
| Dynamic Characteristics | | | | | | | |
| Turn-On Time ^d | t _{ON} | V _{NO} or V _{NC} = 1.5 V, R _L = 50 Ω, C _L = 35 pF figures 1 and 2 | Room Full ^d | | 24 | 36 | ns |
| Turn-Off Time ^d | t _{OFF} | | Room Full ^d | | 21 | 33 | |
| Charge Injection ^d | Q _{INJ} | C _L = 1 nF, V _{GEN} = 0 V, R _{GEN} = 0 Ω, figure 3 | Room | | 13 | | pC |
| Off-Isolation ^d | OIRR | R _L = 50 Ω, C _L = 5 pF, f = 1 MHz | Room | | - 57 | | dB |
| NO, NC Off Capacitance ^d | C _{NO(off)} C _{NC(off)} | V _{IN} = 0 or V+, f = 1 MHz | Room | | 78 | | pF |
| | Channel-On Capacitance ^d | | C _{ON} | Room | | 93 | |



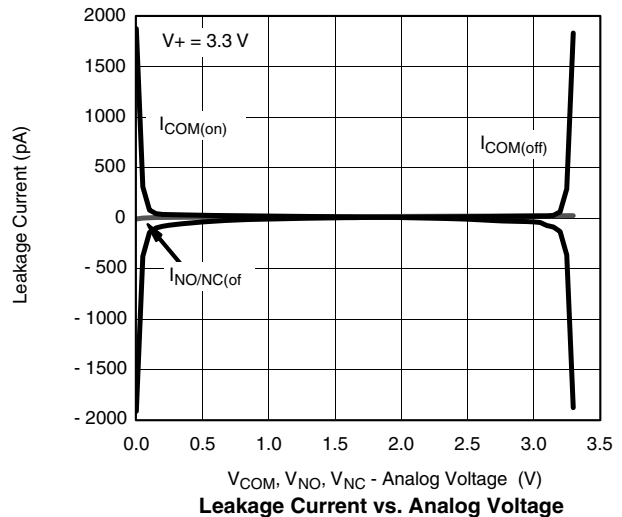
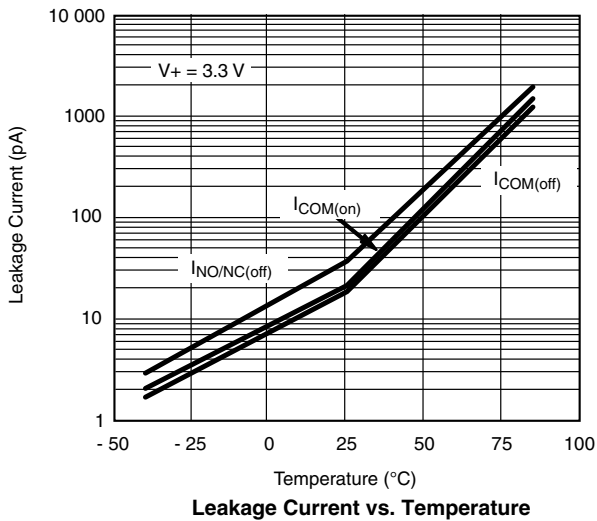
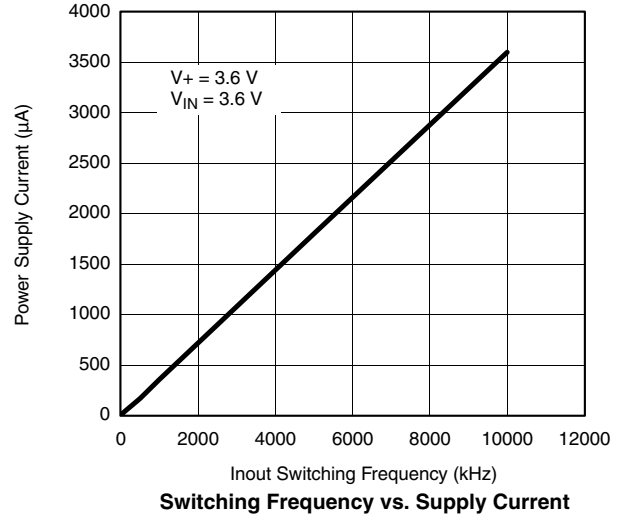
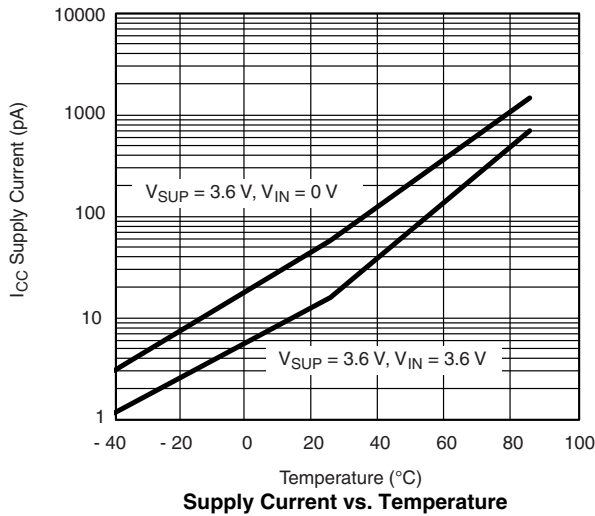
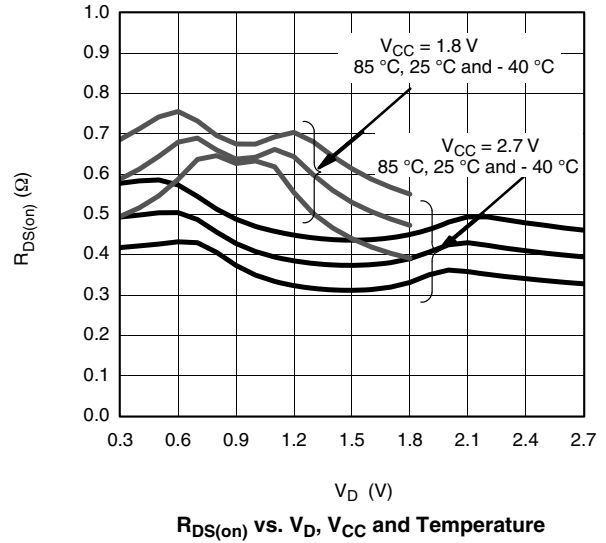
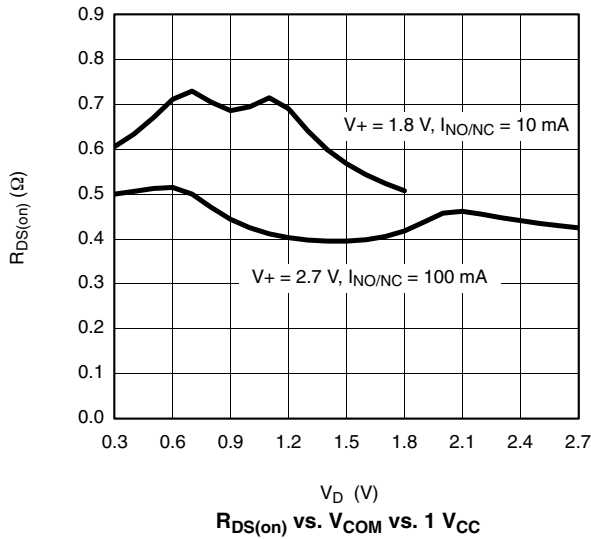
| SPECIFICATIONS (V ₊ = 3.0 V) | | | | | | | |
|---|---|--|--------------------|----------------------------|-------------------|-------------------|------|
| Parameter | Symbol | Test Conditions Otherwise Unless Specified V ₊ = 3 V, ± 10 %, V _{IN} = 0.5 V or 1.4 V ^e | Temp. ^a | Limits - 40 °C to 85 °C | | | Unit |
| | | | | Min. ^b | Typ. ^c | Max. ^b | |
| Analog Switch | | | | | | | |
| Analog Signal Range ^d | V _{NO} , V _{NC} , V _{COM} | | Full | 0 | | V ₊ | V |
| On-Resistance | R _{ON} | V ₊ = 2.7 V, V _{COM} = 1.5 V I _{NO} , I _{NC} = 100 mA | Room Full | | 0.4 | 0.6 | Ω |
| R _{ON} Flatness | R _{ON} Flatness | V ₊ = 2.7 V, V _{COM} = 0.6 V, 1.5 V, 2.1 V I _{NO} , I _{NC} = 100 mA | Room | | 0.1 | 0.2 | |
| Switch Off Leakage Current | I _{NO(off)} I _{NC(off)} | V ₊ = 3.3 V, V _{NO} , V _{NC} = 0.3 V/3 V, V _{COM} = 3 V/0.3 V | Room Full | - 1 - 10 | | 1 10 | nA |
| | I _{COM(off)} | | Room Full | - 1 - 10 | | 1 10 | |
| Channel-On Leakage Current | I _{COM(on)} | V ₊ = 3.3 V, V _{NO} , V _{NC} = V _{COM} = 0.3 V/3 V | Room Full | - 1 - 10 | | 1 10 | |
| Digital Control | | | | | | | |
| Input High Voltage | V _{INH} | | Full | 1.4 | | | V |
| Input Low Voltage | V _{INL} | | Full | | | 0.5 | |
| Input Capacitance ^d | C _{in} | | Full | | 5 | | pF |
| Input Current | I _{INL} or I _{INH} | V _{IN} = 0 or V ₊ | Full | - 1 | | 1 | μA |
| Dynamic Characteristics | | | | | | | |
| Turn-On Time | t _{ON} | V _{NO} or V _{NC} = 1.5 V, R _L = 50 Ω, C _L = 35 pF Figure 1 | Room Full | | 17 | 29 | ns |
| Turn-Off Time | t _{OFF} | | Room Full | | 14 | 26 | |
| Charge Injection ^d | Q _{INJ} | C _L = 1 nF, V _{GEN} = 0 V, R _{GEN} = 0 Ω, figure 3 | Room | | 9 | | pC |
| Off-Isolation ^d | OIRR | R _L = 50 Ω, C _L = 5 pF, f = 1 MHz | Room | | - 57 | | dB |
| NO, NC Off Capacitance ^d | C _{NO(off)} C _{NC(off)} | V _{IN} = 0 or V ₊ , f = 1 MHz | Room | | 72 | | pF |
| | Channel-On Capacitance ^d | | C _{ON} | Room | | 92 | |
| Power Supply | | | | | | | |
| Power Supply Range | V ₊ | | | 1.5 | | 3.6 | V |
| Power Supply Current | I ₊ | V ₊ = 3.6 V, V _{IN} = 0 or V ₊ | | | 0.01 | 1.0 | μA |

Notes:

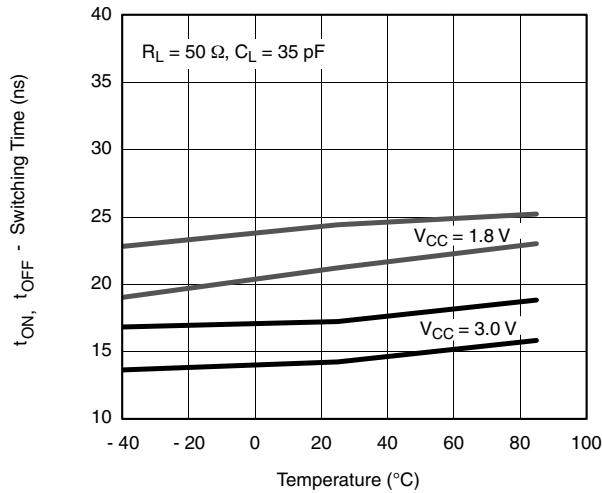
- a. Room = 25 °C, Full = as determined by the operating suffix.
- b. The algebraic convention whereby the most negative value is a minimum and the most positive a maximum, is used in this data sheet.
- c. Typical values are for design aid only, not guaranteed nor subject to production testing.
- d. Guarantee by design, nor subjected to production test.
- e. V_{IN} = input voltage to perform proper function.
- f. Guaranteed by 3 V leakage testing, not production tested.

Stresses beyond those listed under "Absolute Maximum Ratings" may cause permanent damage to the device. These are stress ratings only, and functional operation of the device at these or any other conditions beyond those indicated in the operational sections of the specifications is not implied. Exposure to absolute maximum rating conditions for extended periods may affect device reliability.

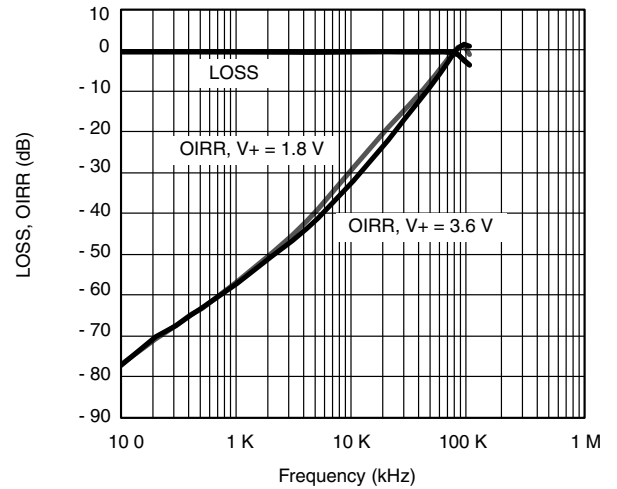
TYPICAL CHARACTERISTICS ($T_A = 25\text{ }^\circ\text{C}$, unless otherwise noted)



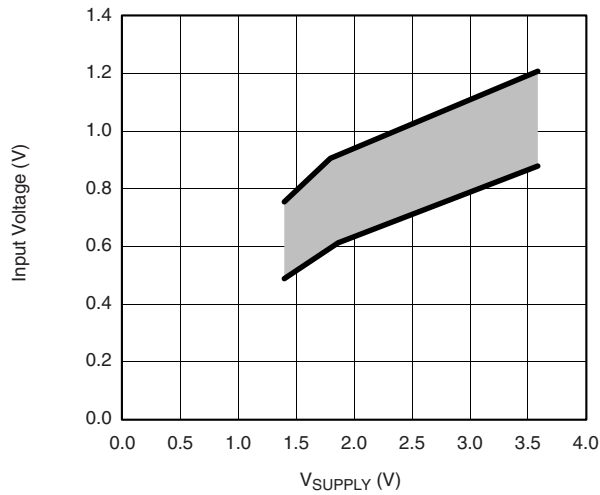
TYPICAL CHARACTERISTICS (T_A = 25 °C, unless otherwise noted)



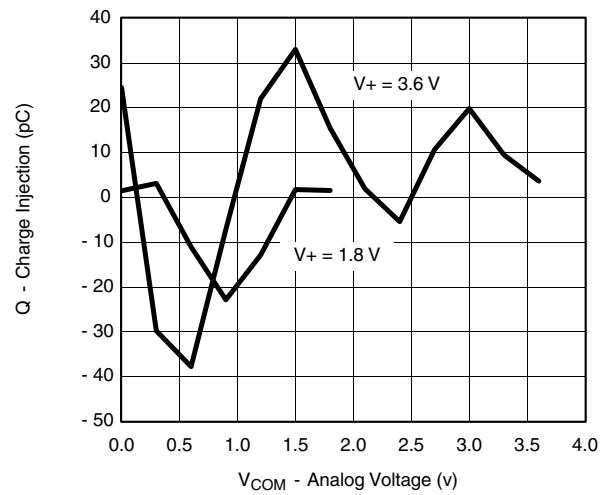
Switching Time vs. V_{CC} and Temperature



Insertion Loss, Off-Isolation vs. Frequency

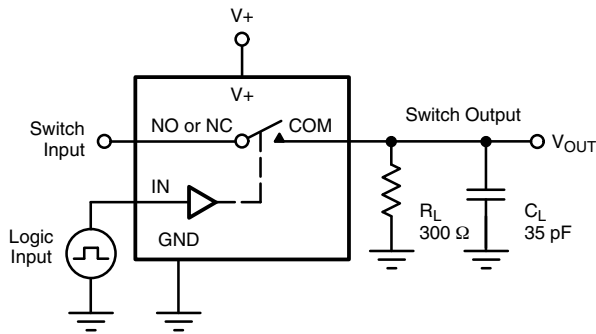


Threshold vs. Supply Voltage



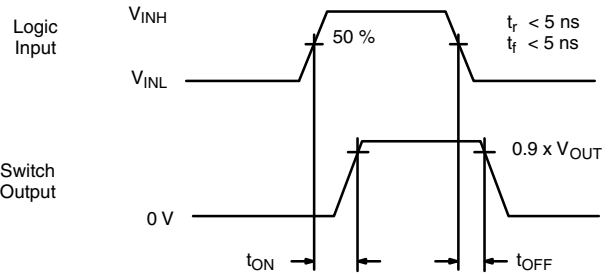
Charge Injection vs. Analog Voltage

TEST CIRCUITS



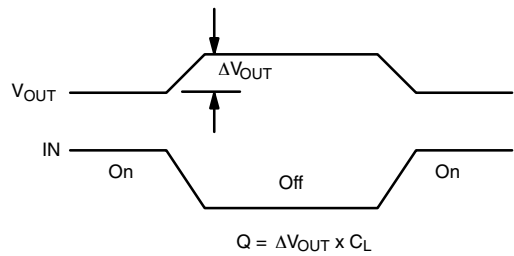
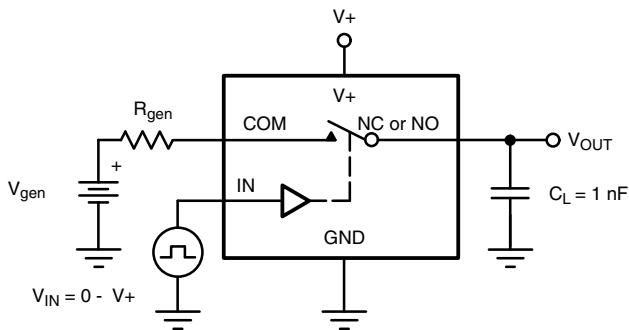
C_L (includes fixture and stray capacitance)

$$V_{OUT} = V_{COM} \left(\frac{R_L}{R_L + R_{ON}} \right)$$



Logic "1" = Switch On
 Logic input waveforms inverted for switches that have the opposite logic sense.

Figure 1. Switching Time



IN depends on switch configuration: input polarity determined by sense of switch.

Figure 2. Charge Injection

TEST CIRCUITS

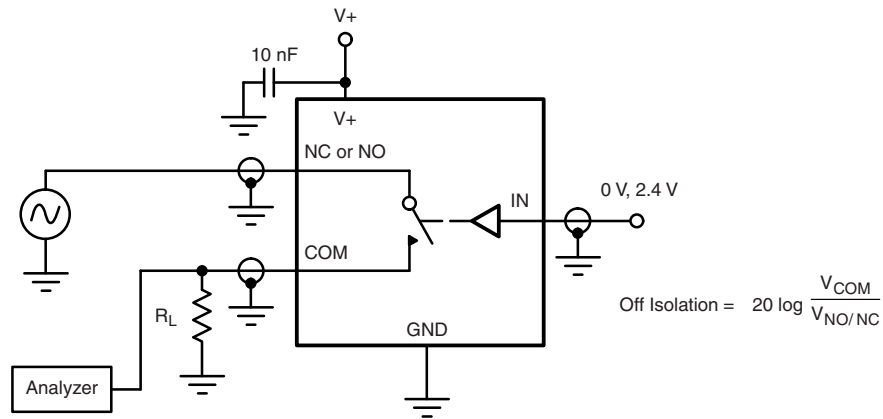


Figure 3. Off-Isolation

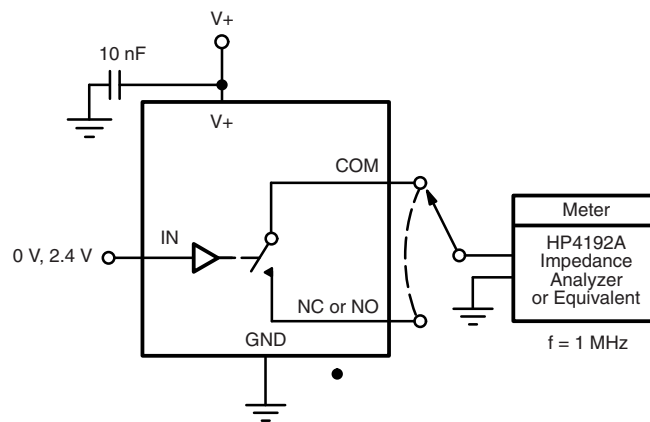
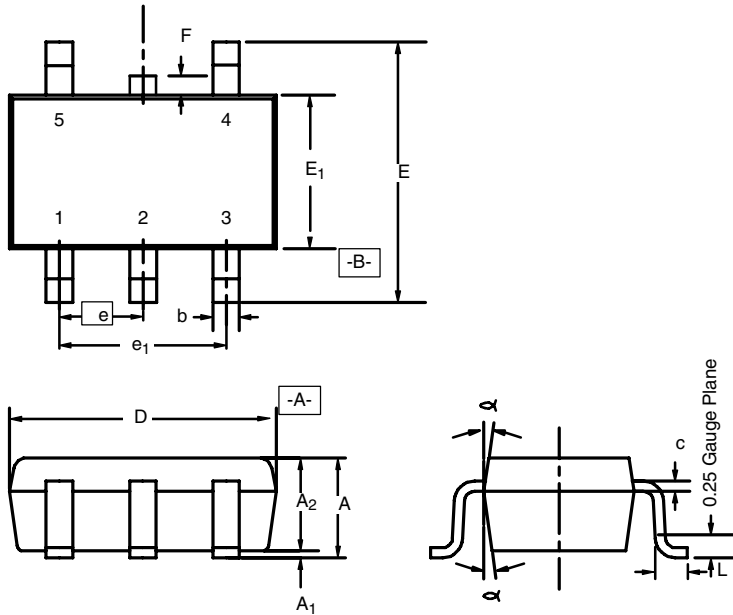


Figure 4. Channel Off/On Capacitance

Vishay Siliconix maintains worldwide manufacturing capability. Products may be manufactured at one of several qualified locations. Reliability data for Silicon Technology and Package Reliability represent a composite of all qualified locations. For related documents such as package/tape drawings, part marking, and reliability data, see www.vishay.com/ppg?72740.

SC-70: 5-LEAD



| Dim | MILLIMETERS | | | INCHES | | |
|---|-------------|------|------|----------|-------|-------|
| | Min | Nom | Max | Min | Nom | Max |
| A | 0.90 | - | 1.10 | 0.035 | - | 0.043 |
| A₁ | - | - | 0.10 | - | - | 0.004 |
| A₂ | 0.80 | - | 1.00 | 0.031 | - | 0.039 |
| b | 0.15 | - | 0.30 | 0.006 | - | 0.012 |
| c | 0.10 | - | 0.25 | 0.004 | - | 0.010 |
| D | 1.80 | 2.00 | 2.20 | 0.071 | 0.079 | 0.087 |
| E | 1.80 | 2.10 | 2.40 | 0.071 | 0.083 | 0.094 |
| E₁ | 1.15 | 1.25 | 1.35 | 0.045 | 0.049 | 0.053 |
| e | 0.65BSC | | | 0.026BSC | | |
| e₁ | 1.20 | 1.30 | 1.40 | 0.047 | 0.051 | 0.055 |
| F | 0 | - | 0.15 | 0 | - | 0.006 |
| L | 0.10 | 0.20 | 0.30 | 0.004 | 0.008 | 0.012 |
| α | 7°Nom | | | 7°Nom | | |
| ECN: S-60035—Rev. C, 16-Jan-06 DWG: 5861 | | | | | | |



Disclaimer

ALL PRODUCT, PRODUCT SPECIFICATIONS AND DATA ARE SUBJECT TO CHANGE WITHOUT NOTICE TO IMPROVE RELIABILITY, FUNCTION OR DESIGN OR OTHERWISE.

Vishay Intertechnology, Inc., its affiliates, agents, and employees, and all persons acting on its or their behalf (collectively, "Vishay"), disclaim any and all liability for any errors, inaccuracies or incompleteness contained in any datasheet or in any other disclosure relating to any product.

Vishay makes no warranty, representation or guarantee regarding the suitability of the products for any particular purpose or the continuing production of any product. To the maximum extent permitted by applicable law, Vishay disclaims (i) any and all liability arising out of the application or use of any product, (ii) any and all liability, including without limitation special, consequential or incidental damages, and (iii) any and all implied warranties, including warranties of fitness for particular purpose, non-infringement and merchantability.

Statements regarding the suitability of products for certain types of applications are based on Vishay's knowledge of typical requirements that are often placed on Vishay products in generic applications. Such statements are not binding statements about the suitability of products for a particular application. It is the customer's responsibility to validate that a particular product with the properties described in the product specification is suitable for use in a particular application. Parameters provided in datasheets and / or specifications may vary in different applications and performance may vary over time. All operating parameters, including typical parameters, must be validated for each customer application by the customer's technical experts. Product specifications do not expand or otherwise modify Vishay's terms and conditions of purchase, including but not limited to the warranty expressed therein.

Except as expressly indicated in writing, Vishay products are not designed for use in medical, life-saving, or life-sustaining applications or for any other application in which the failure of the Vishay product could result in personal injury or death. Customers using or selling Vishay products not expressly indicated for use in such applications do so at their own risk. Please contact authorized Vishay personnel to obtain written terms and conditions regarding products designed for such applications.

No license, express or implied, by estoppel or otherwise, to any intellectual property rights is granted by this document or by any conduct of Vishay. Product names and markings noted herein may be trademarks of their respective owners.