

## Metallized Polypropylene Film Capacitors DC-Link Capacitor



### FEATURES

- High performance DC filter
- Low ESR
- High peak current capabilities
- High RMS current capabilities
- AEC-Q200 qualified
- Mounting: Radial
- Material categorization:  
For definitions of compliance please see [www.vishay.com/doc?99912](http://www.vishay.com/doc?99912)

 AUTOMOTIVE  
GRADE

**RoHS**  
COMPLIANT

### APPLICATIONS

- High performance DC filtering
- HEV/EV: i.e. power train and OBC
- Renewable energies inverters
- Motor drives
- Power supplies

### QUICK REFERENCE DATA

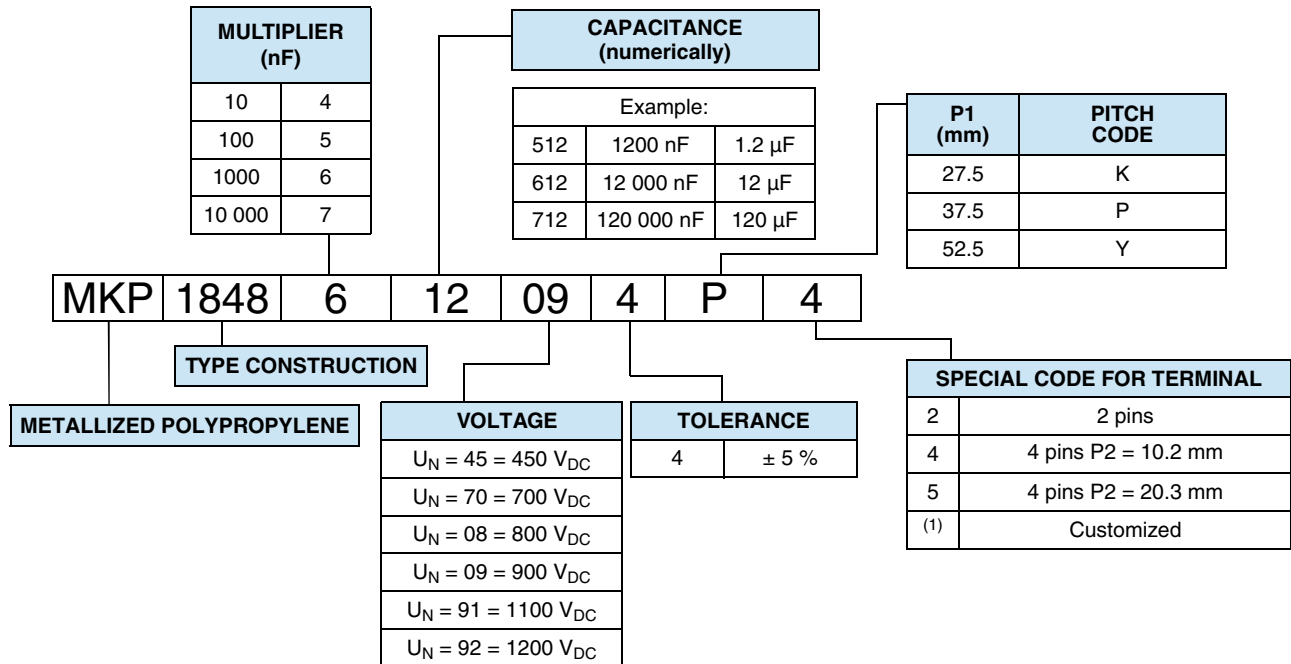
|  |  |
|--|--|
| Rated capacitance range                                  | 1 µF to 400 µF   |
| Capacitance tolerance                                    | 5 %  |
| Rated voltage range, U <sub>NDC</sub>                    | 450 V to 1200 V  |
| Climatic testing class                                   | 40/105/56  |
| Rated temperature  | 85 °C  |
| Maximum permissible case temperature                     | 105 °C, observing voltage derating   |
| Maximum applicable peak to peak ripple voltage           | 0.2 x U <sub>NDC</sub>   |
| Reference standards                                      | IEC 61071, IEC 60068   |
| Dielectric   | Polypropylene film   |
| Electrodes   | Metallized dielectric capacitor  |
| Construction   | Mono construction  |
| Encapsulation  | Plastic case, sealed with resin; flame retardant   |
| Terminals  | Tinned wires   |
| Self inductance (L <sub>s</sub> )                        | < 1 nH per mm of lead spacing  |
| Withstanding DC voltage between terminals <sup>(1)</sup> | 1.5 U <sub>NDC</sub> for 10 s, cut off current 10 mA, rise time ≤ 1000 V/s   |
| Insulation resistance                                    | RC between leads, after 1 min > 10 000 s<br>For U <sub>NDC</sub> ≤ 500 V measuring voltage 100 V<br>For U <sub>NDC</sub> > 500 V measuring voltage 500 V                                 |
| Life time expectancy                                     | Useful life time: > 100 000 h at U <sub>NDC</sub> and 70 °C<br>FIT: < 10 x 10 <sup>-9</sup> /h (10 per 10 <sup>9</sup> component h) at 0.5 x U <sub>NDC</sub> , 40 °C                    |
| Marking  | C-value; tolerance; rated voltage; code for dielectric material;<br>code for manufacturing origin; manufacturer's type designation;<br>manufacturer's logo; year and week of manufacture |

#### Notes

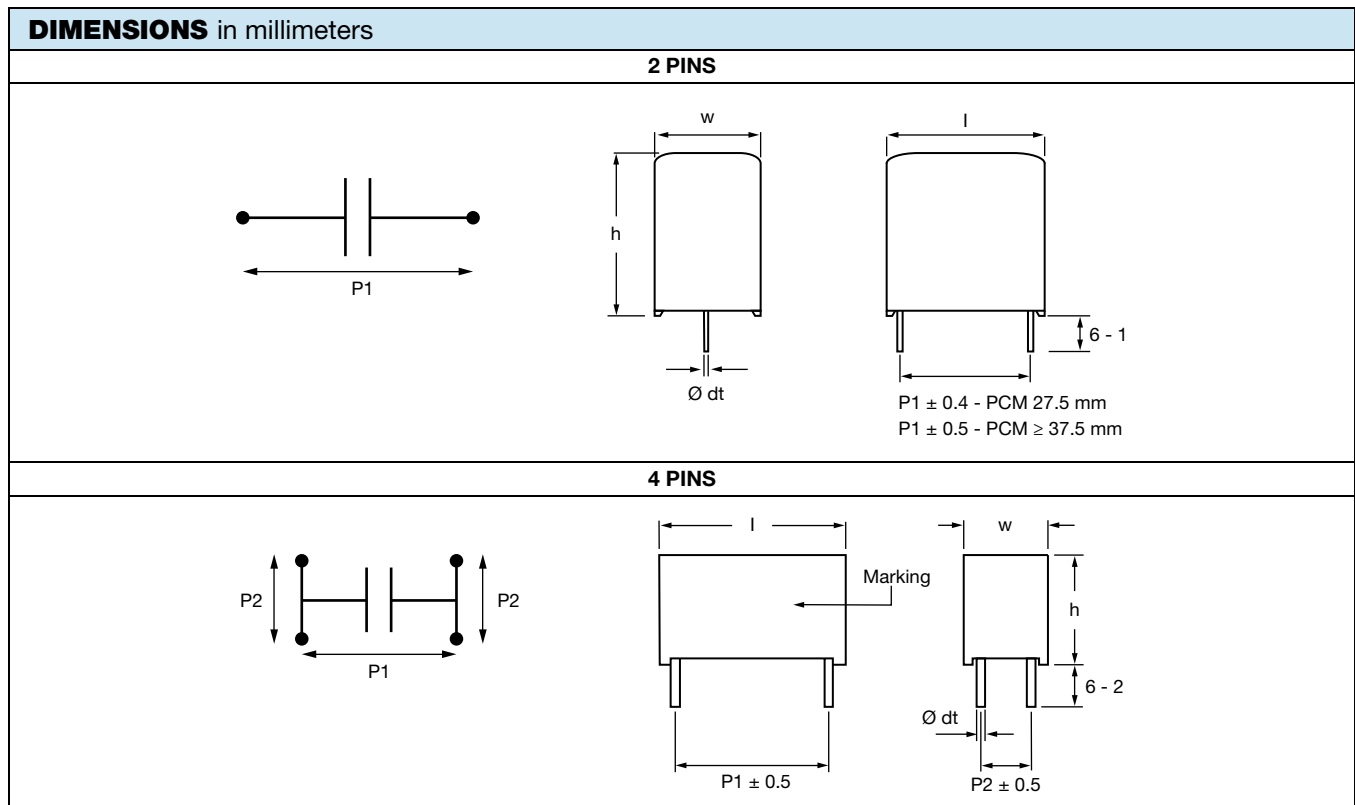
- For more detailed data and test requirements, contact [dc-film@vishay.com](mailto:dc-film@vishay.com)
- For general information like characteristics and definitions used for film capacitors follow the link: [www.vishay.com/doc?28147](http://www.vishay.com/doc?28147)
- <sup>(1)</sup> See document "Voltage Proof Test for Metallized Film Capacitors" ([www.vishay.com/doc?28169](http://www.vishay.com/doc?28169))

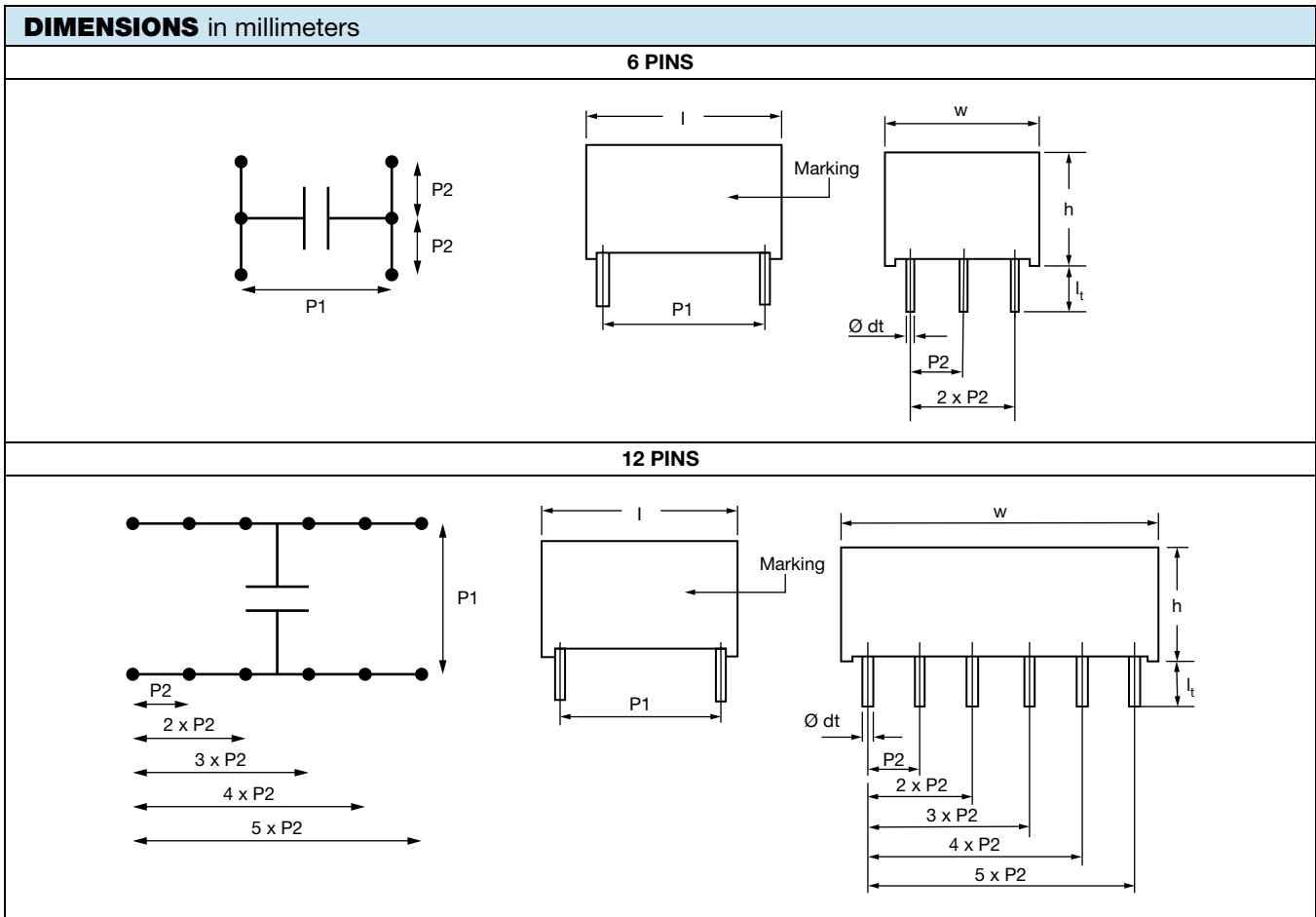
### DC VOLTAGE RATINGS

|                             |       |       |       |        |        |        |
|-----------------------------|-------|-------|-------|--------|--------|--------|
| U <sub>NDC</sub> at 85 °C   | 450 V | 700 V | 800 V | 900 V  | 1100 V | 1200 V |
| U <sub>OPDC</sub> at 70 °C  | 500 V | 800 V | 900 V | 1100 V | 1350 V | 1500 V |
| U <sub>OPDC</sub> at 105 °C | 300 V | 500 V | 570 V | 650 V  | 800 V  | 850 V  |

**COMPOSITION OF CATALOG NUMBER**

**Note**

(1) Tabs terminals or customized terminals are available on request




**Note**

- $\varnothing dt \pm 10\%$  of standard diameter specified

| <b>ELECTRICAL DATA AND ORDERING CODE</b>                  |                                   |                                  |      |      |            |            |                       |                   |                                 |           |                                     |           |   |                 |                              |
|---|-----------------------------------|----------------------------------|------|------|------------|------------|-----------------------|-------------------|---------------------------------|-----------|-------------------------------------|-----------|---|-----------------|------------------------------|
| $U_{NDC}$<br>AT<br>85 °C<br>(V)                           | CAP. <sup>(8)</sup><br>( $\mu$ F) | DIMENSION <sup>(5)</sup><br>(mm) |      |      | P1<br>(mm) | P2<br>(mm) | dV/dt<br>(V/ $\mu$ s) | $I_{PEAK}$<br>(A) | $I_{RMS}$ <sup>(2)</sup><br>(A) |           | ESR <sup>(3)</sup><br>(m $\Omega$ ) |           | $\tan \delta$<br>10 kHz<br>( $< 10^{-4}$ ) <sup>(4)</sup> |                 | ORDERING CODE <sup>(1)</sup> |
|   |                                   | w                                | h    | l    |            |            |                       |                   | 2<br>PINS                       | 4<br>PINS | 2<br>PINS                           | 4<br>PINS | 2<br>PINS   | 4<br>PINS       |                              |
| $U_{OPDC}$ AT 70 °C = 500 V, $U_{OPDC}$ AT 105 °C = 300 V |                                   |                                  |      |      |            |            |                       |                   |                                 |           |                                     |           |   |                 |                              |
| 450   | 1                                 | 9.0                              | 19.0 | 32.0 | 27.5       | -          | 75                    | 75                | 2.5                             | -         | 54                                  | -         | 85  | -               | MKP1848510454K2              |
|   | 2                                 | 9.0                              | 19.0 | 32.0 | 27.5       | -          | 75                    | 150               | 3                               | -         | 34.5                                | -         | 85  | -               | MKP1848520454K2              |
|   | 3                                 | 11.0                             | 21.0 | 32.0 | 27.5       | -          | 75                    | 225               | 4                               | -         | 23.0                                | -         | 85  | -               | MKP1848530454K2              |
|   | 4                                 | 11.0                             | 21.0 | 32.0 | 27.5       | -          | 75                    | 300               | 4                               | -         | 20.5                                | -         | 85  | -               | MKP1848540454K2              |
|   | 5                                 | 13.0                             | 23.0 | 32.0 | 27.5       | -          | 75                    | 375               | 5                               | -         | 16.5                                | -         | 85  | -               | MKP1848550454K2              |
|   | 6                                 | 15.0                             | 25.0 | 32.0 | 27.5       | -          | 75                    | 450               | 6                               | -         | 13.5                                | -         | 85  | -               | MKP1848560454K2              |
|   | 7                                 | 15.0                             | 25.0 | 32.0 | 27.5       | -          | 75                    | 525               | 6.5                             | -         | 11.5                                | -         | 85  | -               | MKP1848570454K2              |
|   | 8                                 | 18.0                             | 28.0 | 32.0 | 27.5       | -          | 75                    | 600               | 8.5                             | -         | 8.5                                 | -         | 85  | -               | MKP1848580454K2              |
|   | 9                                 | 18.0                             | 28.0 | 32.0 | 27.5       | -          | 75                    | 675               | 8.5                             | -         | 9.0                                 | -         | 85  | -               | MKP1848590454K2              |
|   | 10                                | 18.0                             | 28.0 | 32.0 | 27.5       | -          | 75                    | 750               | 9                               | -         | 8.0                                 | -         | 85  | -               | MKP1848610454K2              |
|   | 12                                | 21.0                             | 31.0 | 32.0 | 27.5       | -          | 75                    | 900               | 10                              | -         | 7.0                                 | -         | 85  | -               | MKP1848612454K2              |
|   | 15                                | 20.0                             | 35.0 | 32.0 | 27.5       | -          | 75                    | 1125              | 11.5                            | -         | 6.0                                 | -         | 85  | -               | MKP1848615454K2              |
| 10  | 18.5                              | 35.5                             | 43.0 | 37.5 | 10.2       | 40         | 400                   | 7.5               | 8                               | 13.5      | 12.0                                | 160       | 140   | MKP1848610454P* |                              |



| ELECTRICAL DATA AND ORDERING CODE      |   |   |      |      |            |            |                 |                          |  |           |                            |           |   |                                |                              |
|--|---|---|------|------|------------|------------|-----------------|--------------------------|--|-----------|----------------------------|-----------|---|--------------------------------|------------------------------|
| U <sub>NDC</sub><br>AT<br>85 °C<br>(V) | CAP. <sup>(6)</sup><br>(µF)   | DIMENSION <sup>(5)</sup><br>(mm)  |      |      | P1<br>(mm) | P2<br>(mm) | dV/dt<br>(V/µs) | I <sub>PEAK</sub><br>(A) | I <sub>RMS</sub> <sup>(2)</sup><br>(A) |           | ESR <sup>(3)</sup><br>(mΩ) |           | tan δ<br>10 kHz<br>( $< 10^{-4}$ ) <sup>(4)</sup> |                                | ORDERING CODE <sup>(1)</sup> |
|  |   | w   | h    | l    |            |            |                 |                          | 2<br>PINS                              | 4<br>PINS | 2<br>PINS                  | 4<br>PINS | 2<br>PINS   | 4<br>PINS                      |                              |
|  |   | U <sub>OPDC</sub> AT 70 °C = 500 V, U <sub>OPDC</sub> AT 105 °C = 300 V |      |      |            |            |                 |                          |  |           |                            |           |   |                                |                              |
| 450                                    | 12  | 18.5  | 35.5 | 43.0 | 37.5       | 10.2       | 40              | 480                      | 8                                      | 8.5       | 11.5                       | 10.0      | 160   | 140                            | MKP1848612454P*              |
|  | 15  | 18.5  | 35.5 | 43.0 | 37.5       | 10.2       | 40              | 600                      | 9                                      | 10        | 9.0                        | 8.0       | 160   | 140                            | MKP1848615454P*              |
|  | 20  | 21.5  | 38.5 | 43.0 | 37.5       | 10.2       | 40              | 800                      | 11                                     | 12        | 7.0                        | 6.0       | 160   | 140                            | MKP1848620454P*              |
|  | 22  | 21.5  | 38.5 | 43.0 | 37.5       | 10.2       | 40              | 880                      | 11                                     | 11.5      | 7.5                        | 6.5       | 160   | 140                            | MKP1848622454P*              |
|  | 25  | 21.5  | 38.5 | 43.0 | 37.5       | 10.2       | 40              | 1000                     | 11.5                                   | 12.5      | 6.5                        | 5.5       | 160   | 140                            | MKP1848625454P*              |
|  | 30  | 24.0  | 44.0 | 42.0 | 37.5       | 10.2       | 40              | 1200                     | 13.5                                   | 15        | 5.5                        | 4.5       | 160   | 140                            | MKP1848630454P*              |
|  | 35  | 30.0  | 45.0 | 42.0 | 37.5       | 10.2/20.3  | 40              | 1400                     | 17                                     | 18.5      | 4.0                        | 3.5       | 160   | 140                            | MKP1848635454P*              |
|  | 40  | 30.0  | 45.0 | 42.0 | 37.5       | 10.2/20.3  | 40              | 1600                     | 17                                     | 18.5      | 4.0                        | 3.5       | 160   | 140                            | MKP1848640454P*              |
|  | 40  | 25.0  | 45.0 | 57.5 | 52.5       | 10.2       | 20              | 800                      | 13                                     | 13.5      | 6.5                        | 6.0       | 310   | 280                            | MKP1848640454Y*              |
|  | 45  | 25.0  | 45.0 | 57.5 | 52.5       | 10.2       | 20              | 900                      | 12.5                                   | 13.5      | 7.0                        | 6.0       | 310   | 280                            | MKP1848645454Y*              |
|  | 50  | 30.0  | 45.0 | 57.5 | 52.5       | 20.3       | 20              | 1000                     | 15                                     | 15.5      | 5.5                        | 5.0       | 310   | 280                            | MKP1848650454Y*              |
|  | 55  | 30.0  | 45.0 | 57.5 | 52.5       | 20.3       | 20              | 1100                     | 15                                     | 15.5      | 5.5                        | 5.0       | 310   | 280                            | MKP1848655454Y*              |
|  | 60  | 30.0  | 45.0 | 57.5 | 52.5       | 20.3       | 20              | 1200                     | 15.5                                   | 16.5      | 5.0                        | 4.5       | 310   | 280                            | MKP1848660454Y*              |
|  | 65  | 35.0  | 50.0 | 57.5 | 52.5       | 20.3       | 20              | 1300                     | 19                                     | 20.5      | 4.0                        | 3.5       | 310   | 280                            | MKP1848665454Y*              |
|  | 70  | 35.0  | 50.0 | 57.5 | 52.5       | 20.3       | 20              | 1400                     | 18                                     | 19        | 4.5                        | 4.0       | 310   | 280                            | MKP1848670454Y*              |
|  | 75  | 35.0  | 50.0 | 57.5 | 52.5       | 20.3       | 20              | 1500                     | 19                                     | 20.5      | 4.0                        | 3.5       | 310   | 280                            | MKP1848675454Y*              |
|  | 80  | 35.0  | 50.0 | 57.5 | 52.5       | 20.3       | 20              | 1600                     | 19                                     | 20.5      | 4.0                        | 3.5       | 310   | 280                            | MKP1848680454Y*              |
|  | 90  | 45.0  | 45.0 | 57.5 | 52.5       | 20.3       | 20              | 1800                     | -                                      | 21.5      | -                          | 3.0       | -   | 280                            | MKP1848690454Y5              |
| 95                                     | 45.0  | 45.0  | 57.5 | 52.5 | 20.3       | 20         | 1900            | -                        | 21.5                                   | -         | 3.0                        | -         | 280   | MKP1848695454Y5                |                              |
| 100                                    | 45.0  | 45.0  | 57.5 | 52.5 | 20.3       | 20         | 2000            | -                        | 23.5                                   | -         | 2.5                        | -         | 280   | MKP1848710454Y5                |                              |
| 200                                    | 70.0  | 65.0  | 57.5 | 52.5 | 20.3       | 20         | 2000            | -                        | 30.5                                   | -         | 2.0                        | -         | 310   | MKP1848720454Y5 <sup>(6)</sup> |                              |
| 400                                    | 130   | 65.0  | 57.5 | 52.5 | 20.3       | 10         | 4000            | -                        | 50.5                                   | -         | 1.5                        | -         | 380   | MKP1848740454Y5 <sup>(7)</sup> |                              |
| 700                                    | U <sub>OPDC</sub> AT 70 °C = 800 V, U <sub>OPDC</sub> AT 105 °C = 500 V |   |      |      |            |            |                 |                          |  |           |                            |           |   |                                |                              |
|  | 1   | 9   | 19   | 32   | 27.5       | -          | 75              | 75                       | 2.5                                    | -         | 54                         | -         | 68  | -                              | MKP1848510704K2              |
|  | 2   | 9   | 19   | 32   | 27.5       | -          | 75              | 150                      | 3                                      | -         | 34.5                       | -         | 68  | -                              | MKP1848520704K2              |
|  | 3   | 11  | 21   | 32   | 27.5       | -          | 75              | 225                      | 4                                      | -         | 23                         | -         | 68  | -                              | MKP1848530704K2              |
|  | 4   | 13  | 23   | 32   | 27.5       | -          | 75              | 300                      | 5                                      | -         | 17                         | -         | 68  | -                              | MKP1848540704K2              |
|  | 5   | 15  | 25   | 32   | 27.5       | -          | 75              | 375                      | 6                                      | -         | 14                         | -         | 68  | -                              | MKP1848550704K2              |
|  | 6   | 18  | 28   | 32   | 27.5       | -          | 75              | 450                      | 7.5                                    | -         | 11.5                       | -         | 68  | -                              | MKP1848560704K2              |
|  | 7   | 18  | 28   | 32   | 27.5       | -          | 75              | 525                      | 8                                      | -         | 10                         | -         | 68  | -                              | MKP1848570704K2              |
|  | 8   | 18  | 28   | 32   | 27.5       | -          | 75              | 600                      | 8.5                                    | -         | 8.5                        | -         | 68  | -                              | MKP1848580704K2              |
|  | 9   | 21  | 31   | 32   | 27.5       | -          | 75              | 675                      | 10                                     | -         | 7.5                        | -         | 68  | -                              | MKP1848590704K2              |
|  | 10  | 21  | 31   | 32   | 27.5       | -          | 75              | 750                      | 10                                     | -         | 7                          | -         | 68  | -                              | MKP1848610704K2              |
|  | 12  | 20  | 35   | 32   | 27.5       | -          | 75              | 900                      | 11.5                                   | -         | 6                          | -         | 68  | -                              | MKP1848612704K2              |
|  | 10  | 18.5  | 35.5 | 43   | 37.5       | 10.2       | 40              | 400                      | 7.5                                    | 8         | 13.5                       | 12        | 135   | 120                            | MKP1848610704P*              |
|  | 12  | 18.5  | 35.5 | 43   | 37.5       | 10.2       | 40              | 480                      | 8                                      | 8.5       | 11.5                       | 10        | 135   | 120                            | MKP1848612704P*              |
|  | 15  | 18.5  | 35.5 | 43   | 37.5       | 10.2       | 40              | 600                      | 9                                      | 10        | 9                          | 8         | 135   | 120                            | MKP1848615704P*              |
|  | 20  | 21.5  | 38.5 | 43   | 37.5       | 10.2       | 40              | 800                      | 11                                     | 12        | 7                          | 6         | 135   | 120                            | MKP1848620704P*              |
|  | 22  | 24  | 44   | 42   | 37.5       | 10.2       | 40              | 880                      | 13                                     | 13.5      | 6                          | 5.5       | 135   | 120                            | MKP1848622704P*              |
|  | 25  | 24  | 44   | 42   | 37.5       | 10.2       | 40              | 1000                     | 13.5                                   | 14.5      | 5.5                        | 5         | 135   | 120                            | MKP1848625704P*              |
| 30                                     | 30  | 45  | 42   | 37.5 | 10.2/20.3  | 40         | 1200            | 16                       | 17                                     | 4.5       | 4                          | 135       | 120   | MKP1848630704P*                |                              |



| ELECTRICAL DATA AND ORDERING CODE      |   |   |      |      |            |            |                 |                          |  |           |                            |           |   |                                |                                |
|--|---|---|------|------|------------|------------|-----------------|--------------------------|--|-----------|----------------------------|-----------|---|--------------------------------|--------------------------------|
| U <sub>NDC</sub><br>AT<br>85 °C<br>(V) | CAP. <sup>(6)</sup><br>(μF)   | DIMENSION <sup>(5)</sup><br>(mm)  |      |      | P1<br>(mm) | P2<br>(mm) | dV/dt<br>(V/μs) | I <sub>PEAK</sub><br>(A) | I <sub>RMS</sub> <sup>(2)</sup><br>(A) |           | ESR <sup>(3)</sup><br>(mΩ) |           | tan δ<br>10 kHz<br>( $< 10^{-4}$ ) <sup>(4)</sup> |                                | ORDERING CODE <sup>(1)</sup>   |
|  |   | w   | h    | l    |            |            |                 |                          | 2<br>PINS                              | 4<br>PINS | 2<br>PINS                  | 4<br>PINS | 2<br>PINS   | 4<br>PINS                      |                                |
|  |   | U <sub>OPDC</sub> AT 70 °C = 800 V, U <sub>OPDC</sub> AT 105 °C = 500 V |      |      |            |            |                 |                          |  |           |                            |           |   |                                |                                |
| 700                                    | 35  | 30  | 45   | 42   | 37.5       | 10.2/20.3  | 40              | 1400                     | 17                                     | 18.5      | 4                          | 3.5       | 135   | 120                            | MKP1848635704P*                |
|  | 30  | 25  | 45   | 57.5 | 52.5       | 10.2       | 20              | 600                      | 11                                     | 12        | 9                          | 8         | 270   | 240                            | MKP1848630704Y*                |
|  | 35  | 25  | 45   | 57.5 | 52.5       | 10.2       | 20              | 700                      | 12                                     | 12.5      | 7.5                        | 7         | 270   | 240                            | MKP1848635704Y*                |
|  | 40  | 25  | 45   | 57.5 | 52.5       | 10.2       | 20              | 800                      | 13                                     | 13.5      | 6.5                        | 6         | 270   | 240                            | MKP1848640704Y*                |
|  | 45  | 30  | 45   | 57.5 | 52.5       | 20.3       | 20              | 900                      | 14.5                                   | 15        | 6                          | 5.5       | 270   | 240                            | MKP1848645704Y*                |
|  | 50  | 30  | 45   | 57.5 | 52.5       | 20.3       | 20              | 1000                     | 15                                     | 15.5      | 5.5                        | 5         | 270   | 240                            | MKP1848650704Y*                |
|  | 55  | 35  | 50   | 57.5 | 52.5       | 20.3       | 20              | 1100                     | 17                                     | 18        | 5                          | 4.5       | 270   | 240                            | MKP1848655704Y*                |
|  | 60  | 35  | 50   | 57.5 | 52.5       | 20.3       | 20              | 1200                     | 18                                     | 19        | 4.5                        | 4         | 270   | 240                            | MKP1848660704Y*                |
|  | 65  | 35  | 50   | 57.5 | 52.5       | 20.3       | 20              | 1300                     | 19                                     | 20.5      | 4                          | 3.5       | 270   | 240                            | MKP1848665704Y*                |
|  | 70  | 45  | 45   | 57.5 | 52.5       | 20.3       | 20              | 1400                     | -                                      | 20        | -                          | 3.5       | -   | 240                            | MKP1848670704Y5                |
|  | 75  | 45  | 45   | 57.5 | 52.5       | 20.3       | 20              | 1500                     | -                                      | 21.5      | -                          | 3         | -   | 240                            | MKP1848675704Y5                |
|  | 80  | 45  | 45   | 57.5 | 52.5       | 20.3       | 20              | 1600                     | -                                      | 21.5      | -                          | 3         | -   | 240                            | MKP1848680704Y5                |
|  | 160   | 70  | 65   | 57.5 | 52.5       | 20.3       | 20              | 3200                     | -                                      | 30.5      | -                          | 2.5       | -   | 280                            | MKP1848716704Y5 <sup>(6)</sup> |
| 320                                    | 130   | 65  | 57.5 | 52.5 | 20.3       | 20         | 6400            | -                        | 54                                     | -         | 1.3                        | -         | 280   | MKP1848732704Y5 <sup>(7)</sup> |                                |
| 800                                    | U <sub>OPDC</sub> AT 70 °C = 900 V, U <sub>OPDC</sub> AT 105 °C = 570 V |   |      |      |            |            |                 |                          |  |           |                            |           |   |                                |                                |
|  | 1   | 9   | 19   | 32   | 27.5       | -          | 75              | 75                       | 2                                      | -         | 62.5                       | -         | 60  | -                              | MKP1848510084K2                |
|  | 2   | 11  | 21   | 32   | 27.5       | -          | 75              | 150                      | 3.5                                    | -         | 31                         | -         | 60  | -                              | MKP1848520084K2                |
|  | 3   | 13  | 23   | 32   | 27.5       | -          | 75              | 225                      | 4.5                                    | -         | 21                         | -         | 60  | -                              | MKP1848530084K2                |
|  | 4   | 15  | 25   | 32   | 27.5       | -          | 75              | 300                      | 5.5                                    | -         | 15.5                       | -         | 60  | -                              | MKP1848540084K2                |
|  | 5   | 18  | 28   | 32   | 27.5       | -          | 75              | 375                      | 7                                      | -         | 12.5                       | -         | 60  | -                              | MKP1848550084K2                |
|  | 6   | 18  | 28   | 32   | 27.5       | -          | 75              | 450                      | 7.5                                    | -         | 10.5                       | -         | 60  | -                              | MKP1848560084K2                |
|  | 7   | 21  | 31   | 32   | 27.5       | -          | 75              | 525                      | 9                                      | -         | 9                          | -         | 60  | -                              | MKP1848570084K2                |
|  | 8   | 21  | 31   | 32   | 27.5       | -          | 75              | 600                      | 9.5                                    | -         | 8                          | -         | 60  | -                              | MKP1848580084K2                |
|  | 9   | 20  | 35   | 32   | 27.5       | -          | 75              | 675                      | 10                                     | -         | 8                          | -         | 60  | -                              | MKP1848590084K2                |
|  | 10  | 18.5  | 35.5 | 43   | 37.5       | 10.2       | 40              | 400                      | 8                                      | 8.5       | 12.5                       | 11        | 122   | 110                            | MKP1848610084P*                |
|  | 12  | 18.5  | 35.5 | 43   | 37.5       | 10.2       | 40              | 480                      | 8.5                                    | 9         | 10.5                       | 9         | 122   | 110                            | MKP1848612084P*                |
|  | 15  | 21.5  | 38.5 | 43   | 37.5       | 10.2       | 40              | 600                      | 10                                     | 11        | 8.5                        | 7.5       | 122   | 110                            | MKP1848615084P*                |
|  | 20  | 24  | 44   | 42   | 37.5       | 10.2       | 40              | 800                      | 13                                     | 13.5      | 6                          | 5.5       | 122   | 110                            | MKP1848620084P*                |
|  | 22  | 30  | 45   | 42   | 37.5       | 10.2/20.3  | 40              | 880                      | 14.5                                   | 15.5      | 5.5                        | 5         | 122   | 110                            | MKP1848622084P*                |
|  | 25  | 30  | 45   | 42   | 37.5       | 10.2/20.3  | 40              | 1000                     | 15.5                                   | 16        | 5                          | 4.5       | 122   | 110                            | MKP1848625084P*                |
|  | 30  | 25  | 45   | 57.5 | 52.5       | 10.2       | 10              | 300                      | 12                                     | 12        | 8                          | 7.5       | 240   | 215                            | MKP1848630084Y*                |
|  | 35  | 30  | 45   | 57.5 | 52.5       | 20.3       | 10              | 350                      | 13                                     | 14.5      | 7                          | 6         | 240   | 215                            | MKP1848635084Y*                |
|  | 40  | 30  | 45   | 57.5 | 52.5       | 20.3       | 10              | 400                      | 14.5                                   | 15        | 6                          | 5.5       | 240   | 215                            | MKP1848640084Y*                |
|  | 45  | 35  | 50   | 57.5 | 52.5       | 20.3       | 10              | 450                      | 16                                     | 17        | 5.5                        | 5         | 240   | 215                            | MKP1848645084Y*                |
| 50                                     | 35  | 50  | 57.5 | 52.5 | 20.3       | 10         | 500             | 17                       | 18                                     | 5         | 4.5                        | 240       | 215   | MKP1848650084Y*                |                                |
| 55                                     | 45  | 45  | 57.5 | 52.5 | 20.3       | 10         | 550             | -                        | 18.5                                   | -         | 4                          | -         | 215   | MKP1848655084Y5                |                                |
| 60                                     | 45  | 45  | 57.5 | 52.5 | 20.3       | 10         | 600             | -                        | 20                                     | -         | 3.5                        | -         | 215   | MKP1848660084Y5                |                                |
| 120                                    | 70  | 65  | 57.5 | 52.5 | 20.3       | 10         | 1600            | -                        | 27                                     | -         | 3.2                        | -         | 215   | MKP1848712084Y5 <sup>(6)</sup> |                                |
| 240                                    | 130   | 65  | 57.5 | 52.5 | 20.3       | 10         | 3200            | -                        | 48.5                                   | -         | 1.6                        | -         | 215   | MKP1848724084Y5 <sup>(7)</sup> |                                |



| ELECTRICAL DATA AND ORDERING CODE      |  |  |      |      |            |            |                 |                          |  |           |                            |           |   |                                |                              |
|--|--|--|------|------|------------|------------|-----------------|--------------------------|--|-----------|----------------------------|-----------|---|--------------------------------|------------------------------|
| U <sub>NDC</sub><br>AT<br>85 °C<br>(V) | CAP. <sup>(6)</sup><br>(µF)  | DIMENSION <sup>(5)</sup><br>(mm)   |      |      | P1<br>(mm) | P2<br>(mm) | dV/dt<br>(V/µs) | I <sub>PEAK</sub><br>(A) | I <sub>RMS</sub> <sup>(2)</sup><br>(A) |           | ESR <sup>(3)</sup><br>(mΩ) |           | tan δ<br>10 kHz<br>( $< 10^{-4}$ ) <sup>(4)</sup> |                                | ORDERING CODE <sup>(1)</sup> |
|  |  | w  | h    | l    |            |            |                 |                          | 2<br>PINS                              | 4<br>PINS | 2<br>PINS                  | 4<br>PINS | 2<br>PINS   | 4<br>PINS                      |                              |
|  |  | U <sub>OPDC</sub> AT 70 °C = 1100 V, U <sub>OPDC</sub> AT 105 °C = 650 V |      |      |            |            |                 |                          |  |           |                            |           |   |                                |                              |
| 900                                    | 1  | 9  | 19   | 32   | 27.5       | -          | 40              | 40                       | 2                                      | -         | 63                         | -         | 50  | -                              | MKP1848510094K2              |
|  | 2  | 13   | 23   | 32   | 27.5       | -          | 80              | 160                      | 3.5                                    | -         | 32                         | -         | 50  | -                              | MKP1848520094K2              |
|  | 3  | 15   | 25   | 32   | 27.5       | -          | 80              | 240                      | 5                                      | -         | 21                         | -         | 50  | -                              | MKP1848530094K2              |
|  | 4  | 18   | 28   | 32   | 27.5       | -          | 80              | 320                      | 6                                      | -         | 16                         | -         | 50  | -                              | MKP1848540094K2              |
|  | 5  | 21   | 31   | 32   | 27.5       | -          | 80              | 400                      | 7.5                                    | -         | 13                         | -         | 50  | -                              | MKP1848550094K2              |
|  | 6  | 21   | 31   | 32   | 27.5       | -          | 80              | 480                      | 8.5                                    | -         | 10                         | -         | 50  | -                              | MKP1848560094K2              |
|  | 7  | 20   | 35   | 32   | 27.5       | -          | 80              | 560                      | 9                                      | -         | 9                          | -         | 50  | -                              | MKP1848570094K2              |
|  | 5  | 18.5   | 35.5 | 43   | 37.5       | 10.2       | 20              | 100                      | 6                                      | 6.5       | 21                         | 19        | 100   | 90                             | MKP1848550094P*              |
|  | 6  | 18.5   | 35.5 | 43   | 37.5       | 10.2       | 40              | 240                      | 6.5                                    | 7         | 18                         | 16        | 100   | 90                             | MKP1848560094P*              |
|  | 7  | 18.5   | 35.5 | 43   | 37.5       | 10.2       | 40              | 280                      | 6.5                                    | 7         | 18                         | 16        | 100   | 90                             | MKP1848570094P*              |
|  | 8  | 18.5   | 35.5 | 43   | 37.5       | 10.2       | 40              | 320                      | 7                                      | 7.5       | 16                         | 14        | 100   | 90                             | MKP1848580094P*              |
|  | 9  | 18.5   | 35.5 | 43   | 37.5       | 10.2       | 40              | 360                      | 7.5                                    | 8         | 14                         | 12        | 100   | 90                             | MKP1848590094P*              |
|  | 10   | 21.5   | 38.5 | 43   | 37.5       | 10.2       | 40              | 400                      | 8.5                                    | 9         | 12                         | 11        | 100   | 90                             | MKP1848610094P*              |
|  | 12   | 21.5   | 38.5 | 43   | 37.5       | 10.2       | 40              | 480                      | 9.5                                    | 10        | 10                         | 9         | 100   | 90                             | MKP1848612094P*              |
|  | 15   | 24   | 44   | 42   | 37.5       | 10.2       | 40              | 600                      | 11                                     | 12        | 8                          | 7         | 100   | 90                             | MKP1848615094P*              |
|  | 16   | 24   | 44   | 42   | 37.5       | 10.2       | 40              | 640                      | 11                                     | 12        | 8                          | 7         | 100   | 90                             | MKP1848616094P*              |
|  | 20   | 30   | 45   | 42   | 37.5       | 10.2/20.3  | 40              | 800                      | 14                                     | 15.5      | 6                          | 5         | 100   | 90                             | MKP1848620094P*              |
|  | 15   | 25   | 45   | 57.5 | 52.5       | 10.2       | 20              | 300                      | 9                                      | 9.5       | 14                         | 12        | 200   | 185                            | MKP1848615094Y*              |
|  | 20   | 25   | 45   | 57.5 | 52.5       | 10.2       | 20              | 400                      | 9.5                                    | 10        | 12                         | 11        | 200   | 185                            | MKP1848620094Y*              |
|  | 22   | 25   | 45   | 57.5 | 52.5       | 10.2       | 20              | 440                      | 10                                     | 10.5      | 11                         | 10        | 200   | 185                            | MKP1848622094Y*              |
|  | 25   | 30   | 45   | 57.5 | 52.5       | 20.3       | 20              | 500                      | 11                                     | 11.5      | 10                         | 9         | 200   | 185                            | MKP1848625094Y*              |
|  | 30   | 30   | 45   | 57.5 | 52.5       | 20.3       | 20              | 600                      | 12.5                                   | 13        | 8                          | 7         | 200   | 185                            | MKP1848630094Y*              |
|  | 35   | 35   | 50   | 57.5 | 52.5       | 20.3       | 20              | 700                      | 14.5                                   | 15.5      | 7                          | 6         | 200   | 185                            | MKP1848635094Y*              |
| 40                                     | 35   | 50   | 57.5 | 52.5 | 20.3       | 20         | 800             | 15.5                     | 17                                     | 6         | 5                          | 200       | 185   | MKP1848640094Y*                |                              |
| 45                                     | 45   | 45   | 57.5 | 52.5 | 20.3       | 20         | 900             | -                        | 16.5                                   | -         | 5                          | -         | 185   | MKP1848645094Y5                |                              |
| 50                                     | 45   | 45   | 57.5 | 52.5 | 20.3       | 20         | 1000            | -                        | 18.5                                   | -         | 4                          | -         | 185   | MKP1848650094Y5                |                              |
| 100                                    | 70   | 65   | 57.5 | 52.5 | 20.3       | 20         | 2000            | -                        | 26.5                                   | -         | 3.3                        | -         | 205   | MKP1848710094Y5 <sup>(6)</sup> |                              |
| 200                                    | 130  | 65   | 57.5 | 52.5 | 20.3       | 20         | 4000            | -                        | 48.5                                   | -         | 1.6                        | -         | 205   | MKP1848720094Y5 <sup>(7)</sup> |                              |
| 1100                                   | U <sub>OPDC</sub> AT 70 °C = 1350 V, U <sub>OPDC</sub> AT 105 °C = 800 V |  |      |      |            |            |                 |                          |  |           |                            |           |   |                                |                              |
|  | 1  | 11   | 21   | 32   | 27.5       | -          | 95              | 95                       | 3                                      | -         | 45.5                       | -         | 45  | -                              | MKP1848510914K2              |
|  | 2  | 15   | 25   | 32   | 27.5       | -          | 95              | 190                      | 4.5                                    | -         | 23                         | -         | 45  | -                              | MKP1848520914K2              |
|  | 3  | 18   | 28   | 32   | 27.5       | -          | 95              | 285                      | 6                                      | -         | 15.5                       | -         | 45  | -                              | MKP1848530914K2              |
|  | 4  | 21   | 31   | 32   | 27.5       | -          | 95              | 380                      | 8                                      | -         | 11.5                       | -         | 45  | -                              | MKP1848540914K2              |
|  | 5  | 20   | 35   | 32   | 27.5       | -          | 95              | 475                      | 9                                      | -         | 9.5                        | -         | 45  | -                              | MKP1848550914K2              |
|  | 5  | 18.5   | 35.5 | 43   | 37.5       | 10.2       | 45              | 225                      | 6.5                                    | 7         | 18                         | 16        | 90  | 80                             | MKP1848550914P*              |
|  | 6  | 18.5   | 35.5 | 43   | 37.5       | 10.2       | 45              | 270                      | 7                                      | 7.5       | 15                         | 13.5      | 90  | 80                             | MKP1848560914P*              |
|  | 7  | 21.5   | 38.5 | 43   | 37.5       | 10.2       | 45              | 315                      | 8                                      | 8.5       | 13                         | 11.5      | 90  | 80                             | MKP1848570914P*              |
|  | 8  | 21.5   | 38.5 | 43   | 37.5       | 10.2       | 45              | 360                      | 9                                      | 9.5       | 11                         | 10        | 90  | 80                             | MKP1848580914P*              |
|  | 9  | 24   | 44   | 42   | 37.5       | 10.2       | 45              | 405                      | 10                                     | 10.5      | 10                         | 9         | 90  | 80                             | MKP1848590914P*              |
|  | 10   | 24   | 44   | 42   | 37.5       | 10.2       | 45              | 450                      | 10.5                                   | 11        | 9                          | 8         | 90  | 80                             | MKP1848610914P*              |
|  | 12   | 30   | 45   | 42   | 37.5       | 10.2/20.3  | 45              | 540                      | 12.5                                   | 13.5      | 7.5                        | 6.5       | 90  | 80                             | MKP1848612914P*              |



| ELECTRICAL DATA AND ORDERING CODE      |  |  |      |      |            |            |                 |                          |  |           |                            |           |   |                                |                                |
|--|--|--|------|------|------------|------------|-----------------|--------------------------|--|-----------|----------------------------|-----------|---|--------------------------------|--------------------------------|
| U <sub>NDC</sub><br>AT<br>85 °C<br>(V) | CAP. <sup>(6)</sup><br>(μF)  | DIMENSION <sup>(5)</sup><br>(mm)   |      |      | P1<br>(mm) | P2<br>(mm) | dV/dt<br>(V/μs) | I <sub>PEAK</sub><br>(A) | I <sub>RMS</sub> <sup>(2)</sup><br>(A) |           | ESR <sup>(3)</sup><br>(mΩ) |           | tan δ<br>10 kHz<br>( $< 10^{-4}$ ) <sup>(4)</sup> |                                | ORDERING CODE <sup>(1)</sup>   |
|  |  | w  | h    | l    |            |            |                 |                          | 2<br>PINS                              | 4<br>PINS | 2<br>PINS                  | 4<br>PINS | 2<br>PINS   | 4<br>PINS                      |                                |
|  |  | U <sub>OPDC</sub> AT 70 °C = 1350 V, U <sub>OPDC</sub> AT 105 °C = 800 V |      |      |            |            |                 |                          |  |           |                            |           |   |                                |                                |
| 1100                                   | 10   | 25   | 45   | 57.5 | 52.5       | 10.2       | 23              | 230                      | 8                                      | 8.5       | 18                         | 16        | 175   | 155                            | MKP1848610914Y*                |
|  | 12   | 25   | 45   | 57.5 | 52.5       | 10.2       | 23              | 276                      | 8.5                                    | 9         | 15                         | 13        | 175   | 155                            | MKP1848612914Y*                |
|  | 15   | 25   | 45   | 57.5 | 52.5       | 10.2       | 23              | 345                      | 9.5                                    | 10.5      | 12                         | 10.5      | 175   | 155                            | MKP1848615914Y*                |
|  | 20   | 30   | 45   | 57.5 | 52.5       | 20.3       | 23              | 460                      | 11.5                                   | 12.5      | 9                          | 8         | 175   | 155                            | MKP1848620914Y*                |
|  | 22   | 35   | 50   | 57.5 | 52.5       | 20.3       | 23              | 506                      | 13.5                                   | 14.5      | 8                          | 7         | 175   | 155                            | MKP1848622914Y*                |
|  | 25   | 35   | 50   | 57.5 | 52.5       | 20.3       | 23              | 575                      | 14.5                                   | 15        | 7                          | 6.5       | 175   | 155                            | MKP1848625914Y*                |
|  | 30   | 45   | 45   | 57.5 | 52.5       | 20.3       | 23              | 690                      | -                                      | 16.5      | -                          | 5         | -   | 155                            | MKP1848630914Y5                |
|  | 60   | 70   | 65   | 57.5 | 52.5       | 20.3       | 23              | 1380                     | -                                      | 40        | -                          | 2.5       | -   | 180                            | MKP1848660914Y5 <sup>(6)</sup> |
|  | 70   | 70   | 65   | 57.5 | 52.5       | 20.3       | 23              | 1610                     | -                                      | 34.5      | -                          | 2         | -   | 180                            | MKP1848670914Y5 <sup>(6)</sup> |
|  | 120  | 130  | 65   | 57.5 | 52.5       | 20.3       | 23              | 2760                     | -                                      | 39.5      | -                          | 2.4       | -   | 180                            | MKP1848712914Y5 <sup>(7)</sup> |
| 140                                    | 130  | 65   | 57.5 | 52.5 | 20.3       | 23         | 3220            | -                        | 43.5                                   | -         | 2                          | -         | 180   | MKP1848714914Y5 <sup>(7)</sup> |                                |
| 1200                                   | U <sub>OPDC</sub> AT 70 °C = 1500 V, U <sub>OPDC</sub> AT 105 °C = 850 V |  |      |      |            |            |                 |                          |  |           |                            |           |   |                                |                                |
|  | 1  | 11   | 21   | 32   | 27.5       | -          | 100             | 100                      | 3                                      | -         | 43                         | -         | 40  | -                              | MKP1848510924K2                |
|  | 2  | 15   | 25   | 32   | 27.5       | -          | 100             | 200                      | 5                                      | -         | 21.5                       | -         | 40  | -                              | MKP1848520924K2                |
|  | 3  | 18   | 28   | 32   | 27.5       | -          | 100             | 300                      | 6.5                                    | -         | 14.5                       | -         | 40  | -                              | MKP1848530924K2                |
|  | 4  | 21   | 31   | 32   | 27.5       | -          | 100             | 400                      | 8                                      | -         | 11                         | -         | 40  | -                              | MKP1848540924K2                |
|  | 5  | 18.5   | 35.5 | 43   | 37.5       | 10.2       | 48              | 240                      | 6.5                                    | 7         | 17                         | 15        | 80  | 70                             | MKP1848550924P*                |
|  | 6  | 18.5   | 35.5 | 43   | 37.5       | 10.2       | 48              | 288                      | 7.5                                    | 8         | 14                         | 12.5      | 80  | 70                             | MKP1848560924P*                |
|  | 7  | 21.5   | 38.5 | 43   | 37.5       | 10.2       | 48              | 336                      | 8.5                                    | 9         | 12                         | 11        | 80  | 70                             | MKP1848570924P*                |
|  | 8  | 21.5   | 38.5 | 43   | 37.5       | 10.2       | 48              | 384                      | 9                                      | 9.5       | 10.5                       | 9.5       | 80  | 70                             | MKP1848580924P*                |
|  | 9  | 24   | 44   | 42   | 37.5       | 10.2       | 48              | 432                      | 10.5                                   | 11        | 9.5                        | 8.5       | 80  | 70                             | MKP1848590924P*                |
|  | 10   | 24   | 44   | 42   | 37.5       | 10.2       | 48              | 480                      | 11                                     | 11.5      | 8.5                        | 7.5       | 80  | 70                             | MKP1848610924P*                |
|  | 12   | 30   | 45   | 42   | 37.5       | 10.2/20.3  | 48              | 576                      | 13                                     | 13.5      | 7                          | 6.5       | 80  | 70                             | MKP1848612924P*                |
|  | 10   | 25   | 45   | 57.5 | 52.5       | 10.2       | 24              | 240                      | 8                                      | 8.5       | 17                         | 15        | 165   | 150                            | MKP1848610924Y*                |
|  | 12   | 25   | 45   | 57.5 | 52.5       | 10.2       | 24              | 288                      | 9                                      | 9.5       | 14                         | 12.5      | 165   | 150                            | MKP1848612924Y*                |
|  | 15   | 25   | 45   | 57.5 | 52.5       | 10.2       | 24              | 360                      | 10                                     | 10.5      | 11                         | 10        | 165   | 150                            | MKP1848615924Y*                |
|  | 20   | 35   | 50   | 57.5 | 52.5       | 20.3       | 24              | 480                      | 13                                     | 14        | 8.5                        | 7.5       | 165   | 150                            | MKP1848620924Y*                |
|  | 22   | 35   | 50   | 57.5 | 52.5       | 20.3       | 24              | 528                      | 14                                     | 14.5      | 7.5                        | 7         | 165   | 150                            | MKP1848622924Y*                |
|  | 25   | 35   | 50   | 57.5 | 52.5       | 20.3       | 24              | 600                      | 15                                     | 15.5      | 6.5                        | 6         | 165   | 150                            | MKP1848625924Y*                |
|  | 30   | 45   | 45   | 57.5 | 52.5       | 20.3       | 24              | 720                      | -                                      | 16.5      | -                          | 5         | -   | 150                            | MKP1848630924Y5                |
|  | 60   | 70   | 65   | 57.5 | 52.5       | 20.3       | 24              | 1440                     | -                                      | 23        | -                          | 4.5       | -   | 170                            | MKP1848660924Y5 <sup>(6)</sup> |
| 120                                    | 130  | 65   | 57.5 | 52.5 | 20.3       | 24         | 2280            | -                        | 40.5                                   | -         | 2.3                        | -         | 170   | MKP1848712924Y5 <sup>(7)</sup> |                                |

Notes

- (1) Change the \* symbol with special code for the terminals
- (2) Maximum RMS current at 10 kHz, + 85 °C, Δt = + 15 °C, capacitance tolerance  $\leq \pm 5 \%$
- (3) Equivalent series resistance typical values at f = 10 kHz to 100 kHz for P = 27.5 mm, at f = 10 kHz to 70 kHz for P = 37.5 mm, at f = 10 kHz to 50 kHz for P = 52.5 mm
- (4) Maximum tan δ values
- (5) Standard dimension
- (6) 6 pins
- (7) 12 pins
- (8) Intermediate capacitance values available on request



| PACKAGING INFORMATION               |   |                             |                                |                              |             |                             |
|-------------------------------------|---|-----------------------------|--------------------------------|------------------------------|-------------|-----------------------------|
| U <sub>NDC</sub><br>AT 85 °C<br>(V) | HEIGHT<br>(mm)  | CAP. <sup>(5)</sup><br>(µF) | Ø dt                           | ORDERING CODE <sup>(1)</sup> | MASS<br>(g) | SPQ <sup>(2)</sup><br>(pcs) |
| 450                                 | U <sub>OPDC</sub> AT 70 °C = 500 V, U <sub>OPDC</sub> AT 105 °C = 300 V |                             |                                |                              |             |                             |
|                                     | 19  | 1                           | 0.8                            | MKP1848510454K2              | 6           | 160                         |
|                                     | 19  | 2                           | 0.8                            | MKP1848520454K2              | 5.5         | 160                         |
|                                     | 21  | 3                           | 0.8                            | MKP1848530454K2              | 8.5         | 130                         |
|                                     | 21  | 4                           | 0.8                            | MKP1848540454K2              | 8.5         | 130                         |
|                                     | 23  | 5                           | 0.8                            | MKP1848550454K2              | 10.5        | 115                         |
|                                     | 25  | 6                           | 0.8                            | MKP1848560454K2              | 12.5        | 100                         |
|                                     | 25  | 7                           | 0.8                            | MKP1848570454K2              | 11.5        | 100                         |
|                                     | 28  | 8                           | 0.8                            | MKP1848580454K2              | 15          | 80                          |
|                                     | 28  | 9                           | 0.8                            | MKP1848590454K2              | 16          | 80                          |
|                                     | 28  | 10                          | 0.8                            | MKP1848610454K2              | 15          | 80                          |
|                                     | 31  | 12                          | 0.8                            | MKP1848612454K2              | 21.5        | 65                          |
|                                     | 35  | 15                          | 0.8                            | MKP1848615454K2              | 20          | 70                          |
|                                     | 35.5  | 10                          | 1.0                            | MKP1848610454P*              | 34          | 105                         |
|                                     | 35.5  | 12                          | 1.0                            | MKP1848612454P*              | 32          | 105                         |
|                                     | 35.5  | 15                          | 1.0                            | MKP1848615454P*              | 30          | 105                         |
|                                     | 38.5  | 20                          | 1.0                            | MKP1848620454P*              | 36          | 91                          |
|                                     | 38.5  | 22                          | 1.0                            | MKP1848622454P*              | 38          | 91                          |
|                                     | 38.5  | 25                          | 1.0                            | MKP1848625454P*              | 36          | 91                          |
|                                     | 44  | 30                          | 1.0                            | MKP1848630454P*              | 48          | 77                          |
|                                     | 45  | 35                          | 1.0                            | MKP1848635454P*              | 57          | 63                          |
|                                     | 45  | 40                          | 1.0                            | MKP1848640454P*              | 60          | 63                          |
|                                     | 45  | 40                          | 1.2                            | MKP1848640454Y*              | 66          | 55                          |
|                                     | 45  | 45                          | 1.2                            | MKP1848645454Y*              | 70          | 55                          |
|                                     | 45  | 50                          | 1.2                            | MKP1848650454Y*              | 88          | 45                          |
|                                     | 45  | 55                          | 1.2                            | MKP1848655454Y*              | 96          | 45                          |
|                                     | 45  | 60                          | 1.2                            | MKP1848660454Y*              | 91          | 45                          |
|                                     | 50  | 65                          | 1.2                            | MKP1848665454Y*              | 100         | 40                          |
|                                     | 50  | 70                          | 1.2                            | MKP1848670454Y*              | 112         | 40                          |
|                                     | 50  | 75                          | 1.2                            | MKP1848675454Y*              | 108         | 40                          |
| 50                                  | 80  | 1.2                         | MKP1848680454Y*                | 102                          | 40          |                             |
| 45                                  | 90  | 1.2                         | MKP1848690454Y5                | 127                          | 30          |                             |
| 45                                  | 95  | 1.2                         | MKP1848695454Y5                | 124                          | 30          |                             |
| 45                                  | 100   | 1.2                         | MKP1848710454Y5                | 120                          | 30          |                             |
| 65                                  | 200   | 1.2                         | MKP1848720454Y5 <sup>(3)</sup> | 266                          | 20          |                             |
| 65                                  | 400   | 1.2                         | MKP1848740454Y5 <sup>(4)</sup> | 490                          | 10          |                             |
| 700                                 | U <sub>OPDC</sub> AT 70 °C = 800 V, U <sub>OPDC</sub> AT 105 °C = 500 V |                             |                                |                              |             |                             |
|                                     | 19  | 1                           | 0.8                            | MKP1848510704K2              | 6           | 160                         |
|                                     | 19  | 2                           | 0.8                            | MKP1848520704K2              | 5.5         | 160                         |
|                                     | 21  | 3                           | 0.8                            | MKP1848530704K2              | 8.5         | 130                         |
|                                     | 23  | 4                           | 0.8                            | MKP1848540704K2              | 10.5        | 115                         |
|                                     | 25  | 5                           | 0.8                            | MKP1848550704K2              | 12          | 100                         |
|                                     | 28  | 6                           | 0.8                            | MKP1848560704K2              | 17          | 80                          |
|                                     | 28  | 7                           | 0.8                            | MKP1848570704K2              | 16          | 80                          |





| PACKAGING INFORMATION               |  |                             |                                |                              |             |                             |
|-------------------------------------|--|-----------------------------|--------------------------------|------------------------------|-------------|-----------------------------|
| U <sub>NDC</sub><br>AT 85 °C<br>(V) | HEIGHT<br>(mm)   | CAP. <sup>(5)</sup><br>(µF) | Ø dt                           | ORDERING CODE <sup>(1)</sup> | MASS<br>(g) | SPQ <sup>(2)</sup><br>(pcs) |
| 700                                 | <b>U<sub>OPDC</sub> AT 70 °C = 800 V, U<sub>OPDC</sub> AT 105 °C = 500 V</b> |                             |                                |                              |             |                             |
|                                     | 28   | 8                           | 0.8                            | MKP1848580704K2              | 15          | 80                          |
|                                     | 31   | 9                           | 0.8                            | MKP1848590704K2              | 22          | 65                          |
|                                     | 31   | 10                          | 0.8                            | MKP1848610704K2              | 21          | 65                          |
|                                     | 35   | 12                          | 0.8                            | MKP1848612704K2              | 20          | 70                          |
|                                     | 35.5   | 10                          | 1.0                            | MKP1848610704P*              | 34          | 105                         |
|                                     | 35.5   | 12                          | 1.0                            | MKP1848612704P*              | 32          | 105                         |
|                                     | 35.5   | 15                          | 1.0                            | MKP1848615704P*              | 30          | 105                         |
|                                     | 38.5   | 20                          | 1.0                            | MKP1848620704P*              | 36          | 91                          |
|                                     | 44   | 22                          | 1.0                            | MKP1848622704P*              | 49          | 77                          |
|                                     | 44   | 25                          | 1.0                            | MKP1848625704P*              | 47          | 77                          |
|                                     | 45   | 30                          | 1.0                            | MKP1848630704P*              | 62          | 63                          |
|                                     | 45   | 35                          | 1.0                            | MKP1848635704P*              | 55          | 63                          |
|                                     | 45   | 30                          | 1.2                            | MKP1848630704Y*              | 76          | 55                          |
|                                     | 45   | 35                          | 1.2                            | MKP1848635704Y*              | 71          | 55                          |
|                                     | 45   | 40                          | 1.2                            | MKP1848640704Y*              | 66          | 55                          |
|                                     | 45   | 45                          | 1.2                            | MKP1848645704Y*              | 95          | 45                          |
|                                     | 45   | 50                          | 1.2                            | MKP1848650704Y*              | 88          | 45                          |
|                                     | 50   | 55                          | 1.2                            | MKP1848655704Y*              | 112         | 40                          |
|                                     | 50   | 60                          | 1.2                            | MKP1848660704Y*              | 107         | 40                          |
|                                     | 50   | 65                          | 1.2                            | MKP1848665704Y*              | 100         | 40                          |
| 45                                  | 70   | 1.2                         | MKP1848670704Y5                | 128                          | 30          |                             |
| 45                                  | 75   | 1.2                         | MKP1848675704Y5                | 123                          | 30          |                             |
| 45                                  | 80   | 1.2                         | MKP1848680704Y5                | 119                          | 30          |                             |
| 65                                  | 160  | 1.2                         | MKP1848716704Y5 <sup>(3)</sup> | 264                          | 20          |                             |
| 65                                  | 320  | 1.2                         | MKP1848732704Y5 <sup>(4)</sup> | 359                          | 10          |                             |
| 800                                 | <b>U<sub>OPDC</sub> AT 70 °C = 900 V, U<sub>OPDC</sub> AT 105 °C = 570 V</b> |                             |                                |                              |             |                             |
|                                     | 19   | 1                           | 0.8                            | MKP1848510084K2              | 6.5         | 160                         |
|                                     | 21   | 2                           | 0.8                            | MKP1848520084K2              | 9           | 130                         |
|                                     | 23   | 3                           | 0.8                            | MKP1848530084K2              | 11          | 115                         |
|                                     | 25   | 4                           | 0.8                            | MKP1848540084K2              | 12          | 100                         |
|                                     | 28   | 5                           | 0.8                            | MKP1848550084K2              | 17          | 80                          |
|                                     | 28   | 6                           | 0.8                            | MKP1848560084K2              | 16          | 80                          |
|                                     | 31   | 7                           | 0.8                            | MKP1848570084K2              | 23          | 65                          |
|                                     | 31   | 8                           | 0.8                            | MKP1848580084K2              | 21          | 65                          |
|                                     | 35   | 9                           | 0.8                            | MKP1848590084K2              | 21          | 70                          |
|                                     | 35.5   | 10                          | 1.0                            | MKP1848610084P*              | 32          | 105                         |
|                                     | 35.5   | 12                          | 1.0                            | MKP1848612084P*              | 30          | 105                         |
|                                     | 38.5   | 15                          | 1.0                            | MKP1848615084P*              | 37          | 91                          |
|                                     | 44   | 20                          | 1.0                            | MKP1848620084P*              | 47          | 77                          |
|                                     | 45   | 22                          | 1.0                            | MKP1848622084P*              | 65          | 63                          |
|                                     | 45   | 25                          | 1.0                            | MKP1848625084P*              | 61          | 63                          |
|                                     | 45   | 30                          | 1.2                            | MKP1848630084Y*              | 69          | 55                          |
|                                     | 45   | 35                          | 1.2                            | MKP1848635084Y*              | 97          | 45                          |



| PACKAGING INFORMATION               |   |                             |                                |                                |             |                             |
|-------------------------------------|---|-----------------------------|--------------------------------|--------------------------------|-------------|-----------------------------|
| U <sub>NDC</sub><br>AT 85 °C<br>(V) | HEIGHT<br>(mm)  | CAP. <sup>(5)</sup><br>(µF) | Ø dt                           | ORDERING CODE <sup>(1)</sup>   | MASS<br>(g) | SPQ <sup>(2)</sup><br>(pcs) |
| 800                                 | <b>U<sub>OPDC</sub> AT 70 °C = 900 V, U<sub>OPDC</sub> AT 105 °C = 570 V</b>  |                             |                                |                                |             |                             |
|                                     | 45  | 40                          | 1.2                            | MKP1848640084Y*                | 91          | 45                          |
|                                     | 50  | 45                          | 1.2                            | MKP1848645084Y*                | 112         | 40                          |
|                                     | 50  | 50                          | 1.2                            | MKP1848650084Y*                | 104         | 40                          |
|                                     | 45  | 55                          | 1.2                            | MKP1848655084Y5                | 131         | 30                          |
|                                     | 45  | 60                          | 1.2                            | MKP1848660084Y5                | 125         | 30                          |
|                                     | 65  | 120                         | 1.2                            | MKP1848712084Y5 <sup>(3)</sup> | 276         | 20                          |
|                                     | 65  | 240                         | 1.2                            | MKP1848724084Y5 <sup>(4)</sup> | 393         | 10                          |
| 900                                 | <b>U<sub>OPDC</sub> AT 70 °C = 1100 V, U<sub>OPDC</sub> AT 105 °C = 650 V</b> |                             |                                |                                |             |                             |
|                                     | 19  | 1                           | 0.8                            | MKP1848510094K2                | 6           | 160                         |
|                                     | 23  | 2                           | 0.8                            | MKP1848520094K2                | 11          | 115                         |
|                                     | 25  | 3                           | 0.8                            | MKP1848530094K2                | 12          | 100                         |
|                                     | 28  | 4                           | 0.8                            | MKP1848540094K2                | 16.5        | 80                          |
|                                     | 31  | 5                           | 0.8                            | MKP1848550094K2                | 22.5        | 65                          |
|                                     | 31  | 6                           | 0.8                            | MKP1848560094K2                | 21          | 65                          |
|                                     | 35  | 7                           | 0.8                            | MKP1848570094K2                | 21          | 70                          |
|                                     | 35.5  | 5                           | 1.0                            | MKP1848550094P*                | 32          | 105                         |
|                                     | 35.5  | 6                           | 1.0                            | MKP1848560094P*                | 30          | 105                         |
|                                     | 35.5  | 7                           | 1.0                            | MKP1848570094P*                | 33          | 105                         |
|                                     | 35.5  | 8                           | 1.0                            | MKP1848580094P*                | 31          | 105                         |
|                                     | 35.5  | 9                           | 1.0                            | MKP1848590094P*                | 30          | 105                         |
|                                     | 38.5  | 10                          | 1.0                            | MKP1848610094P*                | 39          | 91                          |
|                                     | 38.5  | 12                          | 1.0                            | MKP1848612094P*                | 36          | 91                          |
|                                     | 44  | 15                          | 1.0                            | MKP1848615094P*                | 47          | 77                          |
|                                     | 44  | 16                          | 1.0                            | MKP1848616094P*                | 45          | 77                          |
|                                     | 45  | 20                          | 1.0                            | MKP1848620094P*                | 57          | 63                          |
|                                     | 45  | 15                          | 1.2                            | MKP1848615094Y*                | 70          | 55                          |
|                                     | 45  | 20                          | 1.2                            | MKP1848620094Y*                | 73          | 55                          |
|                                     | 45  | 22                          | 1.2                            | MKP1848622094Y*                | 70          | 55                          |
|                                     | 45  | 25                          | 1.2                            | MKP1848625094Y*                | 98          | 45                          |
|                                     | 45  | 30                          | 1.2                            | MKP1848630094Y*                | 89          | 45                          |
|                                     | 50  | 35                          | 1.2                            | MKP1848635094Y*                | 109         | 40                          |
| 50                                  | 40  | 1.2                         | MKP1848640094Y*                | 99                             | 40          |                             |
| 45                                  | 45  | 1.2                         | MKP1848645094Y5                | 124                            | 30          |                             |
| 45                                  | 50  | 1.2                         | MKP1848650094Y5                | 117                            | 30          |                             |
| 65                                  | 100   | 1.2                         | MKP1848710094Y5 <sup>(3)</sup> | 259                            | 20          |                             |
| 65                                  | 200   | 1.2                         | MKP1848720094Y5 <sup>(4)</sup> | 608                            | 10          |                             |
| 1100                                | <b>U<sub>OPDC</sub> AT 70 °C = 1350 V, U<sub>OPDC</sub> AT 105 °C = 800 V</b> |                             |                                |                                |             |                             |
|                                     | 21  | 1                           | 0.8                            | MKP1848510914K2                | 9           | 130                         |
|                                     | 25  | 2                           | 0.8                            | MKP1848520914K2                | 12          | 100                         |
|                                     | 28  | 3                           | 0.8                            | MKP1848530914K2                | 16          | 80                          |
|                                     | 31  | 4                           | 0.8                            | MKP1848540914K2                | 21.5        | 65                          |
|                                     | 35.5  | 5                           | 1.0                            | MKP1848550914P*                | 33          | 105                         |



| PACKAGING INFORMATION               |   |                             |                                |                                |             |                             |
|-------------------------------------|---|-----------------------------|--------------------------------|--------------------------------|-------------|-----------------------------|
| U <sub>NDC</sub><br>AT 85 °C<br>(V) | HEIGHT<br>(mm)  | CAP. <sup>(5)</sup><br>(µF) | Ø dt                           | ORDERING CODE <sup>(1)</sup>   | MASS<br>(g) | SPQ <sup>(2)</sup><br>(pcs) |
| 1100                                | <b>U<sub>OPDC</sub> AT 70 °C = 1350 V, U<sub>OPDC</sub> AT 105 °C = 800 V</b> |                             |                                |                                |             |                             |
|                                     | 35.5  | 6                           | 1.0                            | MKP1848560914P*                | 30          | 105                         |
|                                     | 38.5  | 7                           | 1.0                            | MKP1848570914P*                | 39          | 91                          |
|                                     | 38.5  | 8                           | 1.0                            | MKP1848580914P*                | 37          | 91                          |
|                                     | 44  | 9                           | 1.0                            | MKP1848590914P*                | 50          | 77                          |
|                                     | 44  | 10                          | 1.0                            | MKP1848610914P*                | 48          | 77                          |
|                                     | 45  | 12                          | 1.0                            | MKP1848612914P*                | 63          | 63                          |
|                                     | 45  | 10                          | 1.2                            | MKP1848610914Y*                | 81          | 55                          |
|                                     | 45  | 12                          | 1.2                            | MKP1848612914Y*                | 77          | 55                          |
|                                     | 45  | 15                          | 1.2                            | MKP1848615914Y*                | 70          | 55                          |
|                                     | 45  | 20                          | 1.2                            | MKP1848620914Y*                | 91          | 45                          |
|                                     | 50  | 22                          | 1.2                            | MKP1848622914Y*                | 115         | 40                          |
|                                     | 50  | 25                          | 1.2                            | MKP1848625914Y*                | 108         | 40                          |
|                                     | 45  | 30                          | 1.2                            | MKP1848630914Y5                | 126         | 30                          |
|                                     | 65  | 60                          | 1.2                            | MKP1848660914Y5 <sup>(3)</sup> | 256         | 20                          |
|                                     | 65  | 70                          | 1.2                            | MKP1848670914Y5 <sup>(3)</sup> | 257         | 20                          |
| 65                                  | 120   | 1.2                         | MKP1848712914Y5 <sup>(4)</sup> | 606                            | 10          |                             |
| 65                                  | 140   | 1.2                         | MKP1848714914Y5 <sup>(4)</sup> | 608                            | 10          |                             |
| 1200                                | <b>U<sub>OPDC</sub> AT 70 °C = 1500 V, U<sub>OPDC</sub> AT 105 °C = 850 V</b> |                             |                                |                                |             |                             |
|                                     | 21  | 1                           | 0.8                            | MKP1848510924K2                | 9           | 130                         |
|                                     | 25  | 2                           | 0.8                            | MKP1848520924K2                | 11.5        | 100                         |
|                                     | 28  | 3                           | 0.8                            | MKP1848530924K2                | 15          | 80                          |
|                                     | 31  | 4                           | 0.8                            | MKP1848540924K2                | 20          | 65                          |
|                                     | 35.5  | 5                           | 1.0                            | MKP1848550924P*                | 31          | 105                         |
|                                     | 35.5  | 6                           | 1.0                            | MKP1848560924P*                | 29          | 105                         |
|                                     | 38.5  | 7                           | 1.0                            | MKP1848570924P*                | 37          | 91                          |
|                                     | 38.5  | 8                           | 1.0                            | MKP1848580924P*                | 35          | 91                          |
|                                     | 44  | 9                           | 1.0                            | MKP1848590924P*                | 48          | 77                          |
|                                     | 44  | 10                          | 1.0                            | MKP1848610924P*                | 45          | 77                          |
|                                     | 45  | 12                          | 1.0                            | MKP1848612924P*                | 60          | 63                          |
|                                     | 45  | 10                          | 1.2                            | MKP1848610924Y*                | 79          | 55                          |
|                                     | 45  | 12                          | 1.2                            | MKP1848612924Y*                | 74          | 55                          |
|                                     | 45  | 15                          | 1.2                            | MKP1848615924Y*                | 67          | 55                          |
|                                     | 50  | 20                          | 1.2                            | MKP1848620924Y*                | 115         | 40                          |
|                                     | 50  | 22                          | 1.2                            | MKP1848622924Y*                | 109         | 40                          |
|                                     | 50  | 25                          | 1.2                            | MKP1848625924Y*                | 100         | 40                          |
|                                     | 45  | 30                          | 1.2                            | MKP1848630924Y5                | 119         | 30                          |
| 65                                  | 60  | 1.2                         | MKP1848660924Y5 <sup>(3)</sup> | 264                            | 20          |                             |
| 65                                  | 120   | 1.2                         | MKP1848712924Y5 <sup>(4)</sup> | 612                            | 10          |                             |

**Notes**

- (1) Change the \* symbol with special code for the terminals
- (2) SPQ = Standard Packing Quantity
- (3) 6 pins
- (4) 12 pins
- (5) Intermediate capacitance values available on request

**CONSTRUCTION DESCRIPTION**

Low inductive wound cell elements of metallized polypropylene film, potted with resin in a flame retardant case.

**Specific Method of Mounting to Withstand Vibration and Shock**

The capacitor unit is designed for mounting on a printed circuit board.

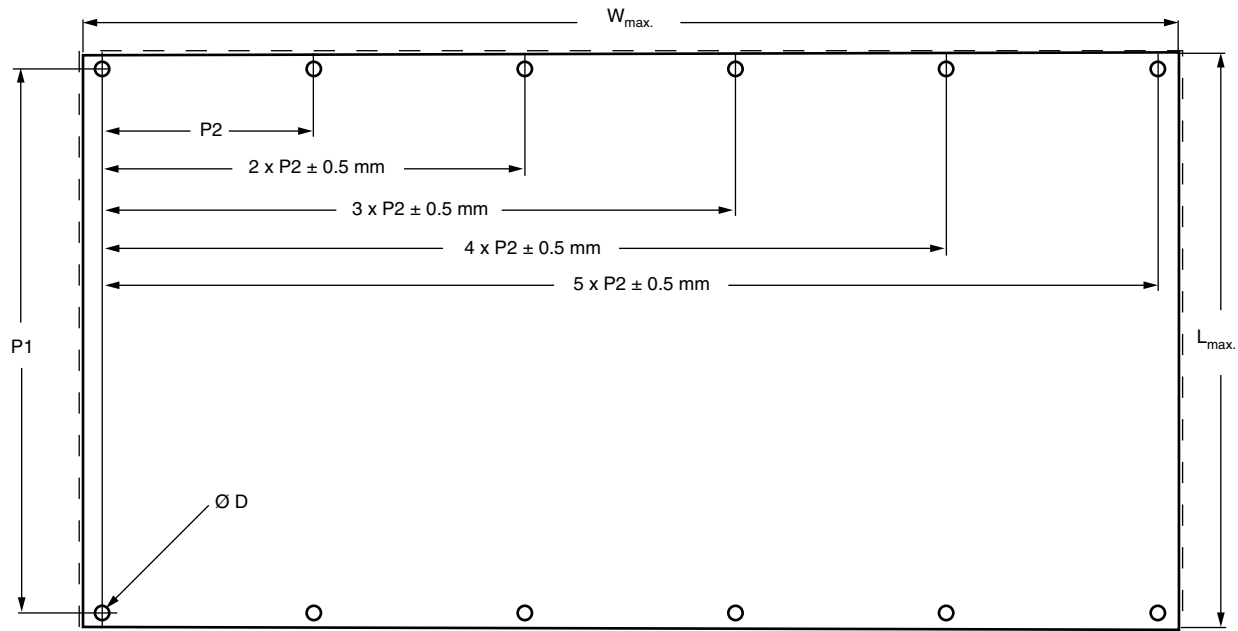
In order to withstand vibration and shock tests, it must be insured that the stand-off pips are in good contact with the printed circuit board.

The capacitors shall be mechanically fixed by the leads and the body clamped.

**Space Requirements on Printed-Circuit Board**

The maximum length and width of film capacitors is shown in the figure:

- Product height with seating plane as given by "IEC 60717" as reference:



| P1 (mm) | L <sub>max.</sub> (mm) | W <sub>max.</sub> (mm) | Ø D (mm) | H (mm)  |
|---------|------------------------|------------------------|----------|---------|
| 27.5    | l + 1.6                | w + 2.0                | 1.2      | h + 0.2 |
| 37.5    | l + 2.0                | w + 3.0                | 1.5      | h + 0.5 |
| 52.5    | l + 2.4                | w + 4.0                | 1.7      | h + 0.5 |

**SOLDERING CONDITIONS**

For general soldering conditions and wave soldering profile, we refer to the application note:

"Soldering Guidelines for Film Capacitors": [www.vishay.com/doc?28171](http://www.vishay.com/doc?28171)

**Storage Temperature**

T<sub>stg</sub> = - 25 °C to + 35 °C with RH maximum 75 % without condensation.

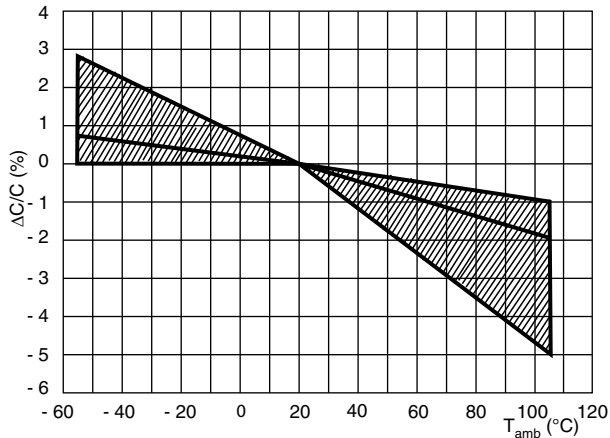
**Ratings and Characteristics Reference Conditions**

Unless otherwise specified, all electrical values apply to an ambient temperature of 23 °C ± 1 °C, an atmospheric pressure of 86 kPa to 106 kPa and a relative humidity of 50 % ± 2 %.

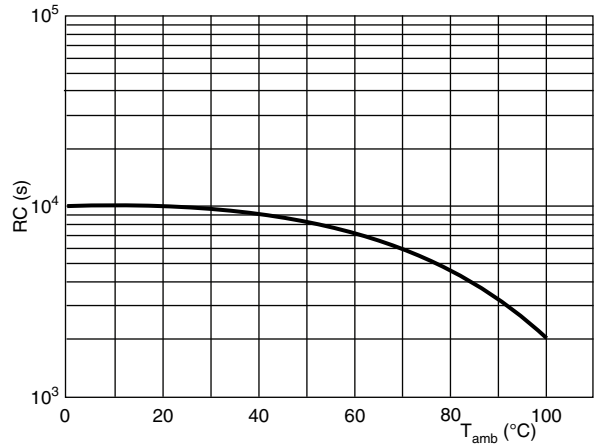
For reference testing, a conditioning period shall be applied over 96 h ± 4 h by heating the products in a circulating air oven at the rated temperature and a relative humidity not exceeding 20 %.



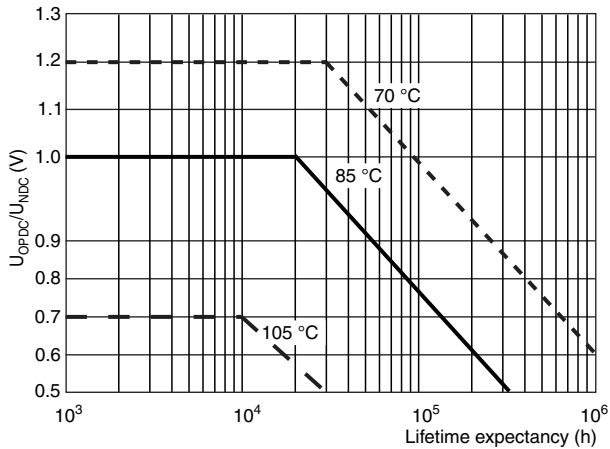
## CHARACTERISTICS



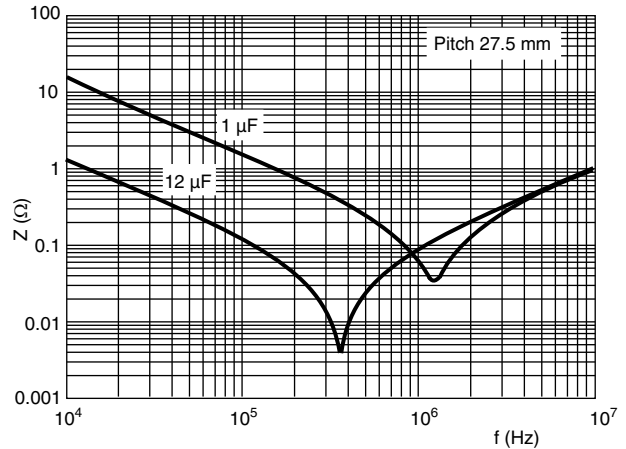
Capacitance (typical curve)



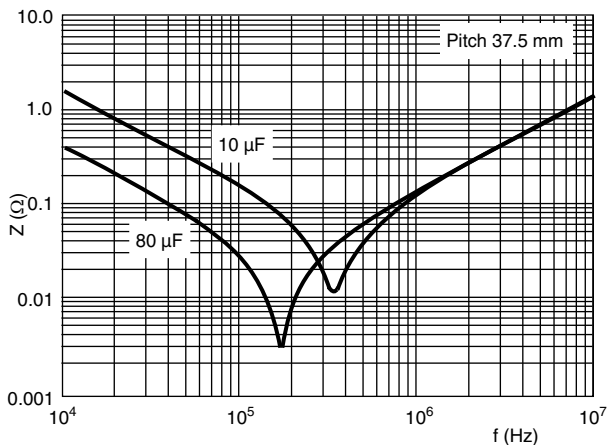
Insulation resistance (typical curve)



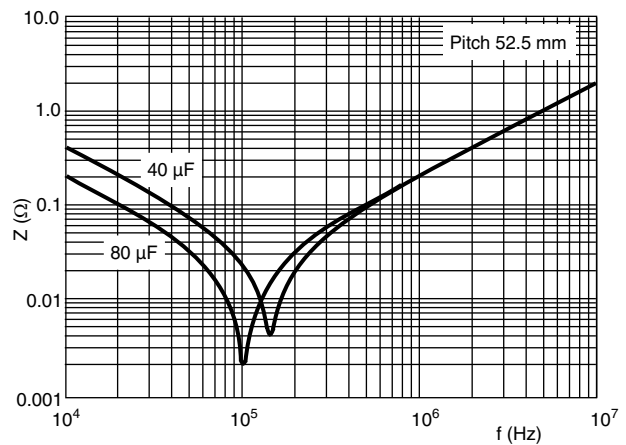
Lifetime expectancy (typical curve)



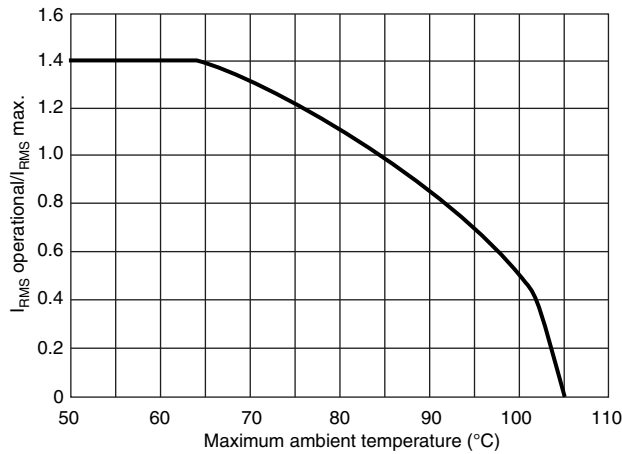
Impedance vs. frequency (typical curve)



Impedance vs. frequency (typical curve)



Impedance vs. frequency (typical curve)



Maximum I<sub>RMS</sub> current in function of the ambient temperature

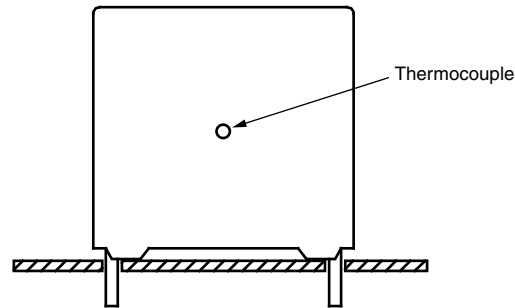
| HEAT CONDUCTIVITY |      |      |                           |
|-------------------|------|------|---------------------------|
| DIMENSIONS (mm)   |      |      | HEAT CONDUCTIVITY (mW/°C) |
| w                 | h    | l    |                           |
| 9.0               | 19.0 | 32.0 | 24                        |
| 11.0              | 21.0 | 32.0 | 28                        |
| 13.0              | 23.0 | 32.0 | 32                        |
| 15.0              | 25.0 | 32.0 | 36                        |
| 18.0              | 28.0 | 32.0 | 44                        |
| 21.0              | 31.0 | 32.0 | 51                        |
| 21.0              | 35.0 | 32.0 | 56                        |
| 18.5              | 35.5 | 43.0 | 54                        |
| 21.5              | 38.5 | 43.0 | 61                        |
| 24.0              | 44.0 | 42.0 | 70                        |
| 30.0              | 45.0 | 42.0 | 81                        |
| 25.0              | 45.0 | 57.5 | 77                        |
| 30.0              | 45.0 | 57.5 | 85                        |
| 35.0              | 50.0 | 57.5 | 100                       |
| 45.0              | 45.0 | 57.5 | 94                        |
| 70.0              | 65.0 | 57.5 | 152                       |
| 130.0             | 65.0 | 57.5 | 243                       |

**POWER DISSIPATION AND MAXIMUM COMPONENT TEMPERATURE RISE**

The power dissipation must be limited in order not to exceed the maximum allowed component temperature rise as a function of the free air ambient temperature.

The component temperature rise ( $\Delta T$ ) can be measured or calculated by  $\Delta T = P/G$ :

- $\Delta T = T_C - T_{amb}$  = Case temperature rise (°C) with a maximum of 15 °C at rated temperature.
- $P = I_{RMS}^2 \times ESR$  = Power dissipation of the component (mW)
- $G$  = Heat conductivity of the component (mW/°C)

**MEASURING THE COMPONENT TEMPERATURE**


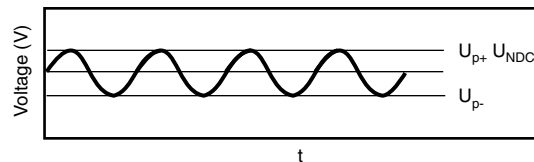
The case temperature is measured in unloaded ( $T_{amb}$ ) and maximum loaded condition ( $T_C$ ). To avoid thermal radiation or convection, the capacitor must be tested in a closed area from air circulation.

**APPLICATION NOTE AND LIMITING CONDITIONS**

These capacitors are not suitable for mains applications as across-the-line capacitors without additional protection. These mains applications are strictly regulated in safety standards and therefore electromagnetic interference suppression capacitors conforming the standards must be used.

To select the capacitor for a certain application, the following conditions must be checked:

- The continuous peak voltage ( $U_{P+}$ ) shall not exceed the rated DC voltage rating ( $U_{NDC}$ )
- The peak-to-peak ripple voltage ( $U_{PP}$ ) shall not be greater than  $0.2 \times (U_{NDC})$

**Non reversing recurrent waveform**


- For capacitors connected in parallel, normally the proof voltage and possibly the rated voltage must be reduced. For information depending of the capacitance value and the number of parallel connections contact: [dc-film@vishay.com](mailto:dc-film@vishay.com)
- The voltage peak slope ( $dU/dt$ ) shall not exceed the pulse slope at the DC voltage rating. If the pulse voltage is lower than the rated DC voltage, the rated voltage pulse slope may be multiplied by  $U_{NDC}$  and divided by the applied voltage.

For all other pulses following equation must be fulfilled:

$$2 \times \int_0^T \left( \frac{dU}{dt} \right)^2 \times dt < U_{NDC} \times \left( \frac{dU}{dt} \right)_{rated}$$

T is the pulse duration

**Maximum Repetitive Peak Voltages**

The capacitor unit may be subjected to the following surge without any significant reduction of lifetime expectancy

| REPETITIVE SURGE VOLTAGE | MAXIMUM DURATION PER DAY |
|--------------------------|--------------------------|
| $1.1 \times U_{NDC}$     | 30 % on load duration    |
| $1.15 \times U_{NDC}$    | 30 min                   |
| $1.2 \times U_{NDC}$     | 5 min                    |
| $1.3 \times U_{NDC}$     | 1 min                    |
| $1.5 \times U_{NDC}$     | 110 ms                   |



**INSPECTION REQUIREMENTS**

**General Notes**

Sub-clause numbers of tests and performance requirements refer to the “Sectional Specification, Publication IEC 61071”.

| SUB-CLAUSE NUMBER AND TEST                           | CONDITIONS  | PERFORMANCE REQUIREMENTS   |
|--|---|--|
| <b>ROUTINE TEST-FINAL INSPECTION</b>                 |   |  |
| 5.14.2.1 External inspection, visual examination     |   | Legible marking as specified   |
| 5.14.2.2 Dimensions                                  |   | See specification drawing  |
| 5.3.1 Capacitance                                    | 1 kHz at room temperature   | See specific reference data  |
| 5.3.2 tan δ  | 1 kHz at room temperature<br>10 kHz at room temperature   | See specific reference data  |
| 5.5.1.2 Voltage test between terminal                | 1.5 x U <sub>NDC</sub> at T <sub>amb</sub><br>Duration 10 s   | No visible damage or puncture<br>No flashover  |
| 5.7 Insulation resistance                            | U <sub>NDC</sub> ≤ 500 V measuring voltage 100 V at room temperature<br><br>U <sub>NDC</sub> > 500 V measuring voltage 500 V at room temperature<br>Duration 1 min  | See specific reference data  |
| <b>TYPE TESTS</b>                                    |   |  |
| 5.14.2 External inspection                           | Check for finish, marking and overall dimensions  | Legible marking and finish as specified<br>Dimensions: See specific drawing          |
| 5.14.0 Initial measurements                          | Capacitance at 1 kHz<br>tan δ at 10 kHz   |  |
| 5.14.1.1.4 Robustness of terminations IEC 60068-2-21 | Tensile U <sub>a1</sub><br>Wire diameter section load<br>≤ 0.8 mm ≤ 0.5 mm <sup>2</sup> 10 N<br>≤ 1.25 mm ≤ 1.2 mm <sup>2</sup> 20 N<br>Duration 10 s ± 1 s<br><br>Bending U <sub>b</sub> method 1<br>Wire diameter section load<br>≤ 0.8 mm ≤ 0.05 mm <sup>3</sup> 10 N<br>≤ 1.25 mm ≤ 0.019 mm <sup>3</sup> 20 N<br>4 x 90 °,<br>Duration 2 s to 3 s/bend |  |
| 5.14.1.6 Resistance to soldering heat IEC 60068-2-20 | No predrying, Method 1A<br>Solder bath: 260 °C<br>Duration 10 s ± 1 s   |  |
| 5.14.4 Final measurements                            | Capacitance<br>tan δ  | ΔC/C  ≤ 0.5 %<br>Increase of tan δ ≤ 0.0050<br>Compared to values measured in 5.14.0 |
| 5.14.0 Initial measurements                          | Capacitance at 1 kHz<br>tan δ at 10 kHz   |  |





| SUB-CLAUSE NUMBER AND TEST                | CONDITIONS  | PERFORMANCE REQUIREMENTS  |
|---|---|---|
| <b>TYPE TESTS</b>                         |   |   |
| 5.14.3.1 Vibration<br>IEC 60068-2-6       | 10 Hz to 55 Hz: Amplitude $\pm 0.35$ mm or<br>acceleration 98 m/s <sup>2</sup><br><br>Test duration: 10 frequency cycles, 3 axes<br>offset from each other by 90°<br>1 octave/min<br>Visual examination                               | No visible damages  |
| 5.14.3.2 Shock or impact<br>IEC 60068-2-6 | Pulse shape: Half sine<br>Acceleration: 490 m/s <sup>2</sup><br>Duration t of pulse: 11 ms<br>Visual examination  | No visible damage   |
| 5.14.4 Final measurements                 | Capacitance<br>tan $\delta$   | $ \Delta C/C  \leq 0.5 \%$<br>Increase of tan $\delta \leq 0.0050$<br>Compared to values measured in 5.14.0 |
| 5.5.3.1 Initial measurements              | Capacitance at 1 kHz<br>tan $\delta$ at 10 kHz<br>R insulation  |   |
| 5.5.3.2 Voltage test between terminal     | $1.5 \times U_{NDC}$ at $T_{amb}$<br>Duration 60 s  |   |
| 5.5.3.3 Final measurements                | Capacitance<br>tan $\delta$<br>R insulation   |   |
| 5.9.1 Initial measurements                | Capacitance at 1 kHz<br>tan $\delta$ at 10 kHz  |   |
| 5.9.2 Surge discharge test                | $1.1 \times U_{NDC}$<br>Number of discharges: 5<br>Time lapse: Every 2 min (10 min total)   |   |
| 5.9.3 Voltage test between terminal       | Within 5 min after the surge discharge test<br>Duration 60 s<br>$1.5 \times U_{NDC}$ at $T_{amb}$   |   |
| 5.9.3 Final measurements                  | Capacitance<br>tan $\delta$ at 10 kHz   |   |
| 5.11.1 Initial measurements               | Capacitance at 1 kHz<br>tan $\delta$ at 10 kHz  |   |
| 5.11.2 Self healing test                  | $1.5 \times U_{NDC}$<br>Duration 10 s<br>Number of clearings $\leq 5$<br>Clearing = Voltage drop of 5 %<br>increase the voltage at 100 V/s till 5 clearings<br>occur<br>with a max. of $2.5 \times U_{NDC}$<br>for a duration of 10 s |   |
| 5.11.3 Final measurements                 | Capacitance<br>tan $\delta$   |   |



| SUB-CLAUSE NUMBER AND TEST                              | CONDITIONS   | PERFORMANCE REQUIREMENTS   |
|---|--|--|
| <b>TYPE TESTS</b>                                       |  |  |
| 5.13.0 Initial measurements                             | Capacitance at 1 kHz<br>tan $\delta$ at 10 kHz   |  |
| 5.13.1 Change of temperature acc. to IEC 60068-2-14     | Test Nb<br>$T_{max.} = 85\text{ }^{\circ}\text{C}$<br>$T_{min.} = -40\text{ }^{\circ}\text{C}$<br>Transition time: 1 h, equivalent to $1\text{ }^{\circ}\text{C}/\text{min}$   |  |
| 5.13.2 Damp heat steady state acc. to IEC 60068-2-78    | Test Ca<br>$T_{max.} = 40\text{ }^{\circ}\text{C} \pm 2\text{ }^{\circ}\text{C}$<br>RH = 93 % $\pm$ 3 %<br>Duration 56 days  |  |
| 5.5.3.2 Voltage test between terminal                   | $1.5 \times U_{NDC}$ at ambient temperature<br>Duration 60 s   |  |
| 5.13.3 Final measurements                               | Visual examination<br><br>Capacitance<br>tan $\delta$ at $1 U_{RMS}$ 10 kHz  | No puncturing or flashover<br>Self healing punctures are permitted<br><br>$ \Delta C/C  \leq 2.0\%$<br>Increase of tan $\delta \leq 0.0150$<br>Compared to values measured in 5.13.0 |
| 5.10.0 Initial measurements                             | Capacitance at 1 kHz<br>tan $\delta$ at 10 kHz   |  |
| 5.10.1 Thermal stability test under overload conditions | Natural cooling $T_{amb} \pm 5\text{ }^{\circ}\text{C}$<br>$1.21 \times P_{max.} = (U_2/2) \times W_2 \times C \times \tan \delta =$<br>$121 \times (I_{max.}^2/W_2 \times c) \times \tan \delta_2$ with<br>$W_2 = 2 \times p \times f_2$ for $I_{max.}$<br>(see specific reference data)<br>$f_2 = 10\text{ kHz}$<br>Duration 48 h  |  |
| 5.10.2 Final measurements                               | Measure the temperature every 1.5 h during the last 6 h<br>Capacitance<br>tan $\delta$ at 10 kHz   | Temperature rise $< 1\text{ }^{\circ}\text{C}$<br>$ \Delta C/C  \leq 2\%$<br>Increase of tan $\delta \leq 1.2 \times \text{initial } \delta + 0.0150$                                |
| 5.12 Resonance frequency measurement                    | Impedance analyser at $T_{amb}$  | $< 0.9$ times the value as specified in typical curve "Resonant frequency" of this specification   |
| 5.10.0 Initial measurements                             | Capacitance at 1 kHz<br>tan $\delta$ at 10 kHz   |  |
| 5.15.1 Endurance test between terminals                 | Sequence<br>$1.4 \times U_{NDC}$ at $T_{max.} = 85\text{ }^{\circ}\text{C}$<br>$1.4 \times U_{OPDC}$ at $105\text{ }^{\circ}\text{C}$<br>Duration 250 h<br>1000 x discharge at $1.4 \times I$ (maximum repetitive peak current in continuous operation)<br>$1.4 \times U_{NDC}$ at $T_{max.} = 85\text{ }^{\circ}\text{C}$<br>$1.4 \times U_{OPDC}$ at $105\text{ }^{\circ}\text{C}$<br>Duration 250 h |  |
| 5.15.2 Final measurements                               | Capacitance<br>tan $\delta$  | $ \Delta C/C  \leq 3\%$<br>Increase of tan $\delta \leq 0.0150$<br>Compared to values measured in 5.15.0   |



| SUB-CLAUSE NUMBER AND TEST                                 | CONDITIONS  | PERFORMANCE REQUIREMENTS   |
|--|---|--|
| <b>TYPE TESTS</b>  |   |  |
| 5.16.3.0 Initial measurements                              | Capacitance at 1 kHz<br>at $T_{max.} = 85\text{ }^{\circ}\text{C}$  |  |
| 5.16.3.1 Destruction test sequence<br>High DC voltage test | Product enveloped with chees cloth<br>3 x $U_{NDC}$ or DC voltage<br>Until repetitive product healings occur<br>Duration = 15 min       | Audible healings or check healings with<br>oscilloscope            |
| High AC voltage test                                       | $AC_{RMS}$ voltage = $U_{NDC} \times 2 \sqrt{2}$<br>with minimum of 250 $V_{AC}$<br>Duration = 5 min<br>Repeat destruction sequence 3 x |  |
| 5.16.3.2 Final measurements                                | Visual examination  | No puncturing or flashover<br>Self healing punctures are permitted |



## Disclaimer

ALL PRODUCT, PRODUCT SPECIFICATIONS AND DATA ARE SUBJECT TO CHANGE WITHOUT NOTICE TO IMPROVE RELIABILITY, FUNCTION OR DESIGN OR OTHERWISE.

Vishay Intertechnology, Inc., its affiliates, agents, and employees, and all persons acting on its or their behalf (collectively, "Vishay"), disclaim any and all liability for any errors, inaccuracies or incompleteness contained in any datasheet or in any other disclosure relating to any product.

Vishay makes no warranty, representation or guarantee regarding the suitability of the products for any particular purpose or the continuing production of any product. To the maximum extent permitted by applicable law, Vishay disclaims (i) any and all liability arising out of the application or use of any product, (ii) any and all liability, including without limitation special, consequential or incidental damages, and (iii) any and all implied warranties, including warranties of fitness for particular purpose, non-infringement and merchantability.

Statements regarding the suitability of products for certain types of applications are based on Vishay's knowledge of typical requirements that are often placed on Vishay products in generic applications. Such statements are not binding statements about the suitability of products for a particular application. It is the customer's responsibility to validate that a particular product with the properties described in the product specification is suitable for use in a particular application. Parameters provided in datasheets and/or specifications may vary in different applications and performance may vary over time. All operating parameters, including typical parameters, must be validated for each customer application by the customer's technical experts. Product specifications do not expand or otherwise modify Vishay's terms and conditions of purchase, including but not limited to the warranty expressed therein.

Except as expressly indicated in writing, Vishay products are not designed for use in medical, life-saving, or life-sustaining applications or for any other application in which the failure of the Vishay product could result in personal injury or death. Customers using or selling Vishay products not expressly indicated for use in such applications do so at their own risk. Please contact authorized Vishay personnel to obtain written terms and conditions regarding products designed for such applications.

No license, express or implied, by estoppel or otherwise, to any intellectual property rights is granted by this document or by any conduct of Vishay. Product names and markings noted herein may be trademarks of their respective owners.

## Material Category Policy

**Vishay Intertechnology, Inc. hereby certifies that all its products that are identified as RoHS-Compliant fulfill the definitions and restrictions defined under Directive 2011/65/EU of The European Parliament and of the Council of June 8, 2011 on the restriction of the use of certain hazardous substances in electrical and electronic equipment (EEE) - recast, unless otherwise specified as non-compliant.**

**Please note that some Vishay documentation may still make reference to RoHS Directive 2002/95/EC. We confirm that all the products identified as being compliant to Directive 2002/95/EC conform to Directive 2011/65/EU.**

**Vishay Intertechnology, Inc. hereby certifies that all its products that are identified as Halogen-Free follow Halogen-Free requirements as per JEDEC JS709A standards. Please note that some Vishay documentation may still make reference to the IEC 61249-2-21 definition. We confirm that all the products identified as being compliant to IEC 61249-2-21 conform to JEDEC JS709A standards.**