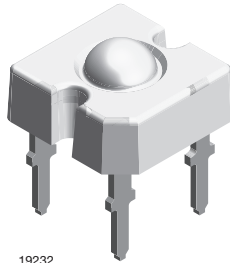


TELUX LED



19232

DESCRIPTION

The VLWTG9600 is a clear, non diffused LED for applications where high luminous flux is required. It is designed in an industry standard 7.62 mm square package utilizing highly developed InGaN technology. The supreme heat dissipation of VLWTG9600 allows applications at high ambient temperatures. All packing units are binned for luminous flux, forward voltage and color to achieve the most homogenous light appearance in application.

PRODUCT GROUP AND PACKAGE DATA

- Product group: LED
- Package: TELUX
- Product series: power
- Angle of half intensity: $\pm 30^\circ$

FEATURES

- High luminous flux
- Supreme heat dissipation: R_{thJP} is 90 K/W
- High operating temperature:
 $T_{amb} = -40^\circ\text{C}$ to $+110^\circ\text{C}$
- Packed in tubes for automatic insertion
- Luminous flux and color categorized for each tube
- Small mechanical tolerances allow precise usage of external reflectors or lightguides
- Compliant to RoHS Directive 2002/95/EC and in accordance to WEEE 2002/96/EC
- Compatible with wave solder processes according to CECC 00802 and J-STD-020
- ESD-withstand voltage: up to 1 kV according to JESD22-A114-B
- AEC-Q101 qualified

AUTOMOTIVE GRADE


RoHS
COMPLIANT
GREEN
(5-2008)**

APPLICATIONS

- Exterior lighting
- Replaces small incandescent lamps
- Traffic signals and signs

PARTS TABLE

PART	COLOR	LUMINOUS FLUX (mlm)			at I_F (mA)	WAVELENGTH (nm)			FORWARD VOLTAGE (V)			TECHNOLOGY
		MIN.	TYP.	MAX.		MIN.	TYP.	MAX.	MIN.	TYP.	MAX.	
VLWTG9600	True green	2000	2500	-	50	509	523	535	-	3.9	4.7	InGaN on SiC

ABSOLUTE MAXIMUM RATINGS ($T_{amb} = 25^\circ\text{C}$, unless otherwise specified) VLWTG9600

PARAMETER	TEST CONDITION	SYMBOL	VALUE	UNIT
Reverse voltage	$I_R = 10 \mu\text{A}$	V_R	5	V
DC forward current	$T_{amb} \leq 50^\circ\text{C}$	I_F	50	mA
Surge forward current	$t_p \leq 10 \mu\text{s}$	I_{FSM}	0.1	A
Power dissipation		P_V	230	mW
Junction temperature		T_j	100	$^\circ\text{C}$
Operating temperature range		T_{amb}	-40 to +110	$^\circ\text{C}$
Storage temperature range		T_{stg}	-55 to +110	$^\circ\text{C}$
Soldering temperature	$t \leq 5 \text{ s}$, 1.5 mm from body preheat temperature $100^\circ\text{C}/30 \text{ s}$	T_{sd}	260	$^\circ\text{C}$
Thermal resistance junction/ambient	With cathode heatsink of 70 mm^2	R_{thJA}	200	K/W
Thermal resistance junction/pin		R_{thJP}	90	K/W

** Please see document "Vishay Material Category Policy": www.vishay.com/doc?99902

OPTICAL AND ELECTRICAL CHARACTERISTICS ($T_{amb} = 25\text{ }^{\circ}\text{C}$, unless otherwise specified)
VLWTG9600, TRUE GREEN

PARAMETER	TEST CONDITION	SYMBOL	MIN.	TYP.	MAX.	UNIT
Total flux	$I_F = 50\text{ mA}$, $R_{thJA} = 200\text{ K/W}$	ϕ_V	2000	2500	-	mlm
Luminous intensity/total flux	$I_F = 50\text{ mA}$, $R_{thJA} = 200\text{ K/W}$	I_V/ϕ_V	-	0.8	-	mcd/mlm
Dominant wavelength	$I_F = 50\text{ mA}$, $R_{thJA} = 200\text{ K/W}$	λ_d	509	523	535	nm
Peak wavelength	$I_F = 50\text{ mA}$, $R_{thJA} = 200\text{ K/W}$	λ_p	-	518	-	nm
Angle of half intensity	$I_F = 50\text{ mA}$, $R_{thJA} = 200\text{ K/W}$	ϕ	-	± 30	-	deg
Total included angle	90 % of total flux captured	$\phi_{0.9V}$	-	75	-	deg
Forward voltage	$I_F = 50\text{ mA}$, $R_{thJA} = 200\text{ K/W}$	V_F	-	3.9	4.7	V
Reverse voltage	$I_R = 10\text{ }\mu\text{A}$	V_R	5	10	-	V
Junction capacitance	$V_R = 0$, $f = 1\text{ MHz}$	C_j	-	50	-	pF
Temperature coefficient of λ_{dom}	$I_F = 30\text{ mA}$	$T_C\lambda_{dom}$	-	0.02	-	nm/K

LUMINOUS FLUX CLASSIFICATION		
GROUP	LUMINOUS FLUX (mlm)	
	MIN.	MAX.
STANDARD		
D	2000	3000
E	2500	3600
F	3000	4200

Note

- Luminous flux is tested at a current pulse duration of 25 ms and an accuracy of $\pm 11\%$.
 The above type numbers represent the order groups which include only a few brightness groups. Only one group will be shipped on each tube (there will be no mixing of two groups on each tube).
 In order to ensure availability, single brightness groups will not be orderable.
 In a similar manner for colors where wavelength groups are measured and binned, single wavelength groups will be shipped in any one tube.
 In order to ensure availability, single wavelength groups will not be orderable.

COLOR CLASSIFICATION		
GROUP	DOM. WAVELENGTH (nm)	
	MIN.	MAX.
2	509	517
3	515	523
4	521	529
5	527	535

Note

- Wavelengths are tested at a current pulse duration of 25 ms and an accuracy of $\pm 1\text{ nm}$.

TYPICAL CHARACTERISTICS ($T_{amb} = 25\text{ }^{\circ}\text{C}$, unless otherwise specified)

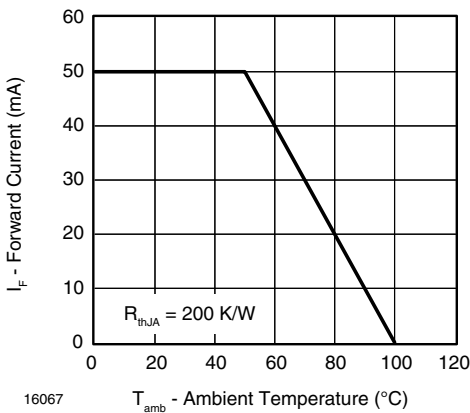


Fig. 1 - Forward Current vs. Ambient Temperature for InGaN

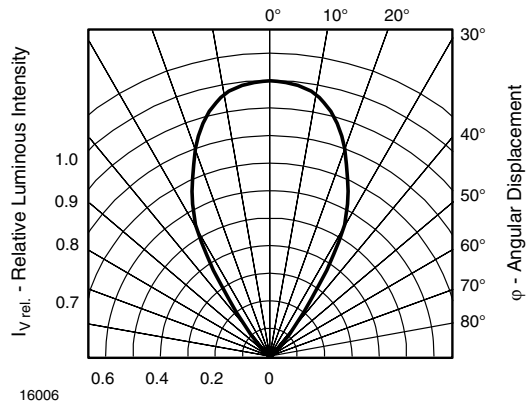
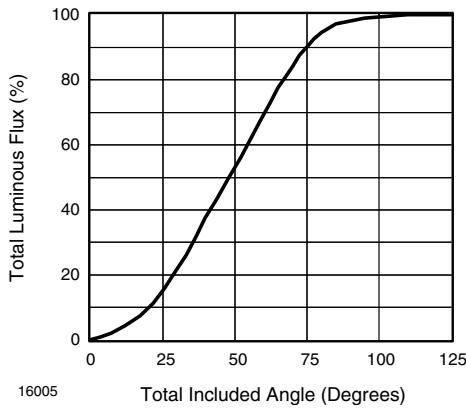
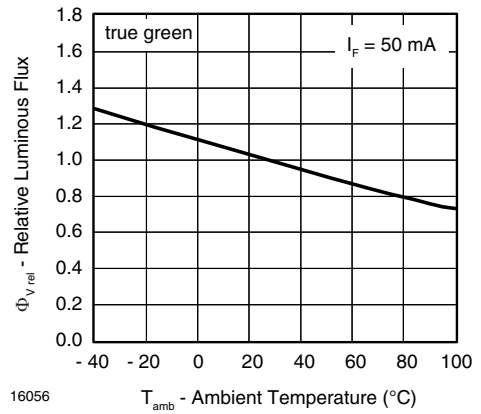


Fig. 2 - Rel. Luminous Intensity vs. Angular Displacement



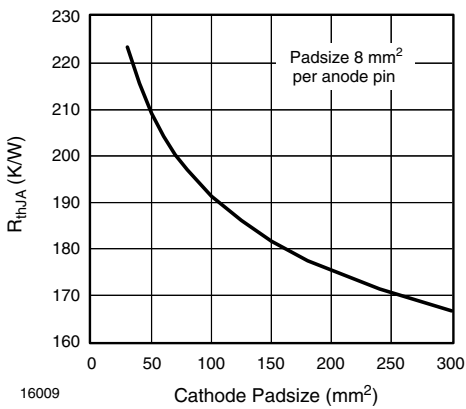
16005

Fig. 3 - Percentage Total Luminous Flux vs. Total Included Angle for 90° Emission Angle



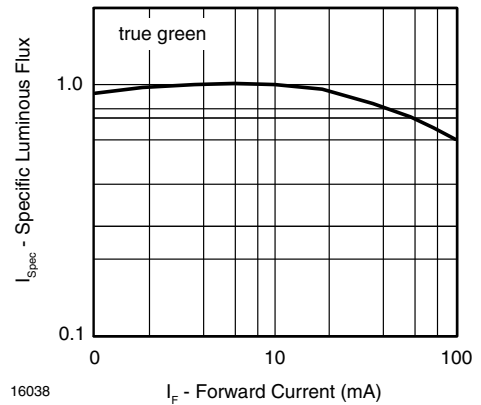
16056

Fig. 6 - Rel. Luminous Flux vs. Ambient Temperature



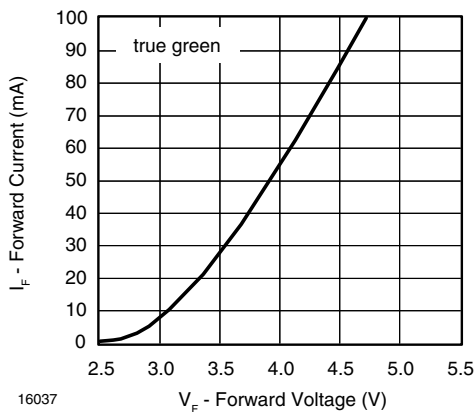
16009

Fig. 4 - Thermal Resistance Junction Ambient vs. Cathode Pads Size



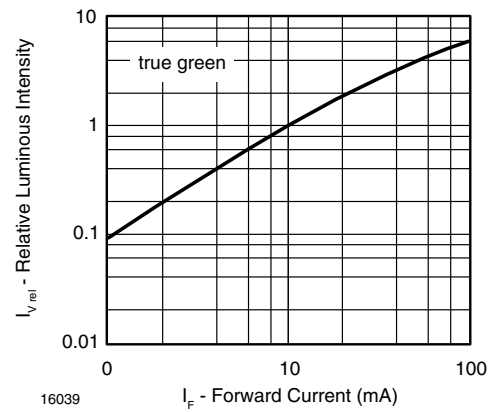
16038

Fig. 7 - Specific Luminous Flux vs. Forward Current



16037

Fig. 5 - Forward Current vs. Forward Voltage



16039

Fig. 8 - Relative Luminous Intensity vs. Forward Current

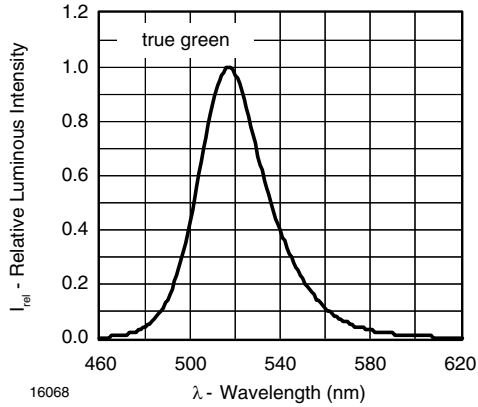


Fig. 9 - Relative Intensity vs. Wavelength

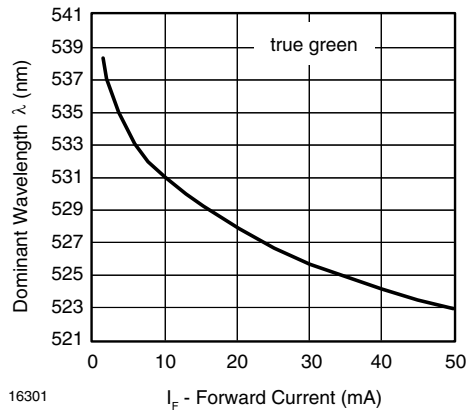
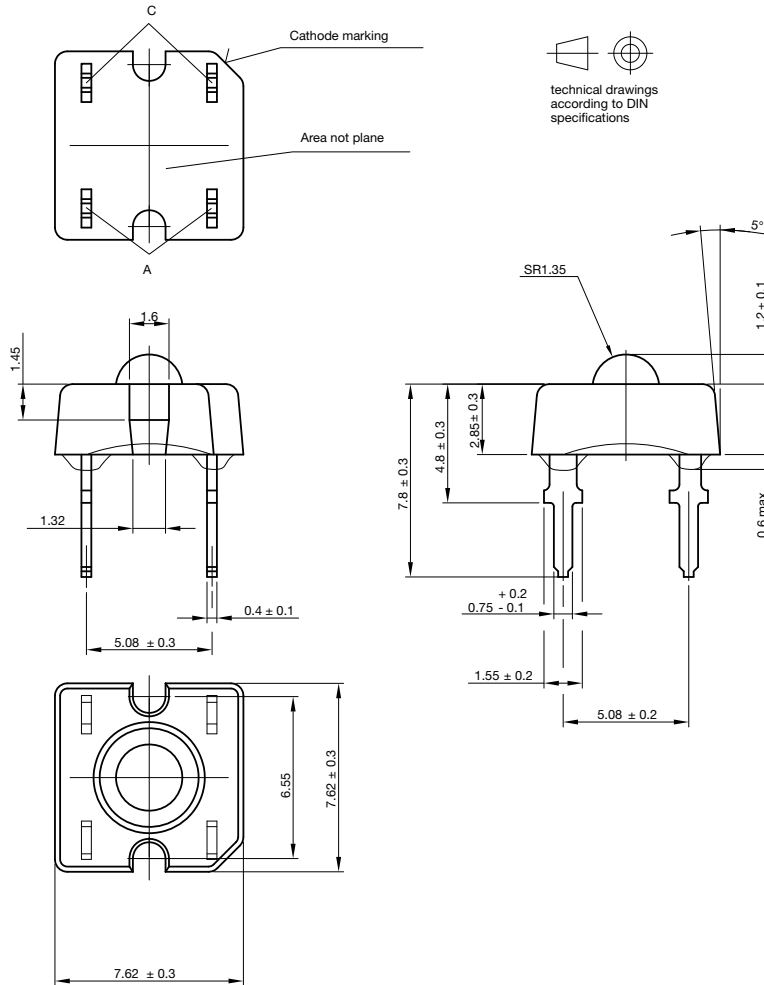


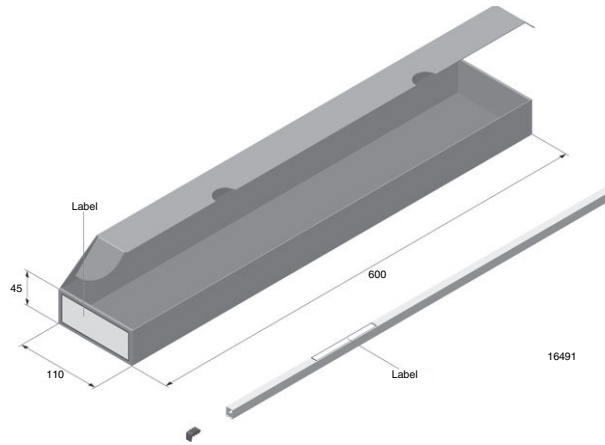
Fig. 10 - Dominant Wavelength vs. Forward Current

PACKAGE DIMENSIONS in millimeters

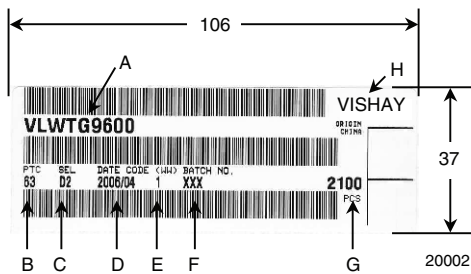


Drawing-No.: 6.544-5321.02-4
Issue: 3; 26.06.06
16004

FAN FOLD BOX DIMENSIONS in millimeters

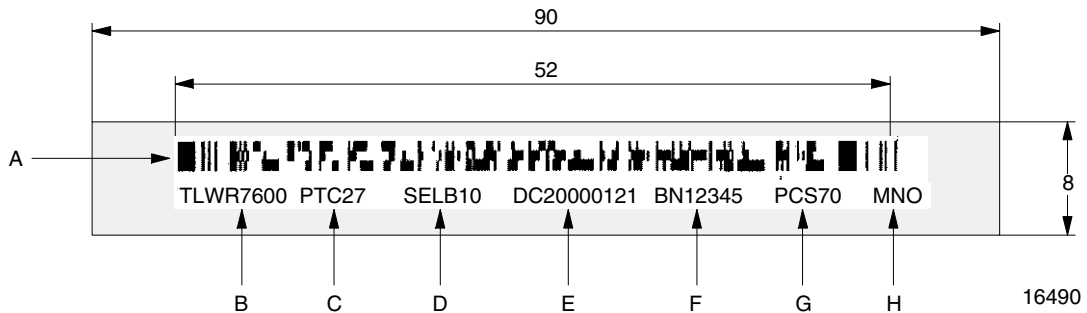


LABEL OF FAN FOLD BOX



- A. Type of component
- B. Manufacturing plant
- C. SEL - selection code (bin):
e.g.: D = code for luminous intensity group
2 = code for color group
- D. Date code year/week
- E. Day code (e.g. 1: Monday)
- F. Batch: no.
- G. Total quantity
- H. Company code

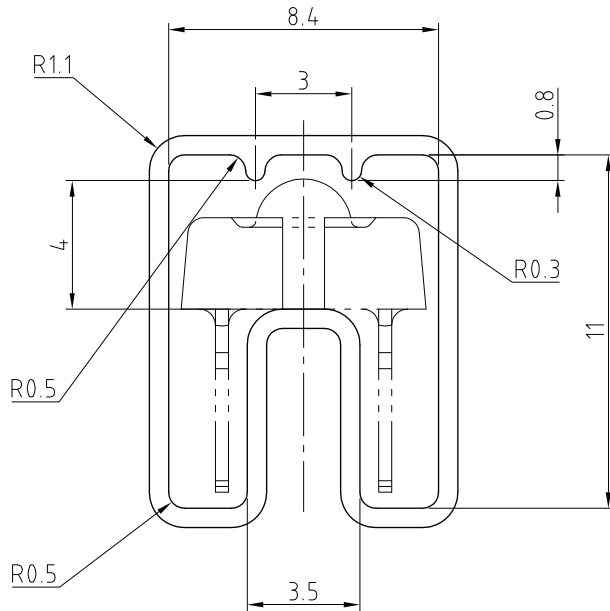
EXAMPLE FOR TELUX TUBE LABEL DIMENSIONS in millimeters



- A. Bar code
- B. Type of component
- C. Manufacturing plant
- D. SEL - selection code (bin):
digit 1 - code for luminous flux group
digit 2 - code for dominant wavelength group
digit 3 - code for forward voltage group
- E. Date code
- F. Batch: no.
- G. Total quantity
- H. Company code

TUBE WITH BAR CODE LABEL DIMENSIONS in millimeters

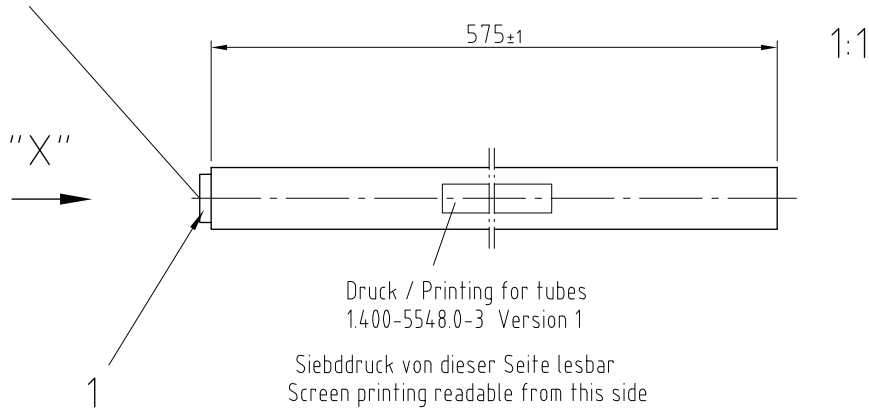
"X"
90° gedreht / 90° turned



Wanddicke/wall thickness: 0.6±0.1
Geradheit/Straightness 2
Schnittwinkel/cut 90° ±1°

Geprüft nach/approved to: LV 5145

Bestücken mit 1 Stopper / equip with 1 stopper



Druck / Printing for tubes
1.400-5548.0-3 Version 1

Siebdruck von dieser Seite lesbar
Screen printing readable from this side

Drawing-No.: 9.700-5223.0-4

Rev. 2; Date: 23.08.99

20438

Fig. 11 - Drawing Proportions not Scaled



Disclaimer

ALL PRODUCT, PRODUCT SPECIFICATIONS AND DATA ARE SUBJECT TO CHANGE WITHOUT NOTICE TO IMPROVE RELIABILITY, FUNCTION OR DESIGN OR OTHERWISE.

Vishay Intertechnology, Inc., its affiliates, agents, and employees, and all persons acting on its or their behalf (collectively, "Vishay"), disclaim any and all liability for any errors, inaccuracies or incompleteness contained in any datasheet or in any other disclosure relating to any product.

Vishay makes no warranty, representation or guarantee regarding the suitability of the products for any particular purpose or the continuing production of any product. To the maximum extent permitted by applicable law, Vishay disclaims (i) any and all liability arising out of the application or use of any product, (ii) any and all liability, including without limitation special, consequential or incidental damages, and (iii) any and all implied warranties, including warranties of fitness for particular purpose, non-infringement and merchantability.

Statements regarding the suitability of products for certain types of applications are based on Vishay's knowledge of typical requirements that are often placed on Vishay products in generic applications. Such statements are not binding statements about the suitability of products for a particular application. It is the customer's responsibility to validate that a particular product with the properties described in the product specification is suitable for use in a particular application. Parameters provided in datasheets and/or specifications may vary in different applications and performance may vary over time. All operating parameters, including typical parameters, must be validated for each customer application by the customer's technical experts. Product specifications do not expand or otherwise modify Vishay's terms and conditions of purchase, including but not limited to the warranty expressed therein.

Except as expressly indicated in writing, Vishay products are not designed for use in medical, life-saving, or life-sustaining applications or for any other application in which the failure of the Vishay product could result in personal injury or death. Customers using or selling Vishay products not expressly indicated for use in such applications do so at their own risk and agree to fully indemnify and hold Vishay and its distributors harmless from and against any and all claims, liabilities, expenses and damages arising or resulting in connection with such use or sale, including attorneys fees, even if such claim alleges that Vishay or its distributor was negligent regarding the design or manufacture of the part. Please contact authorized Vishay personnel to obtain written terms and conditions regarding products designed for such applications.

No license, express or implied, by estoppel or otherwise, to any intellectual property rights is granted by this document or by any conduct of Vishay. Product names and markings noted herein may be trademarks of their respective owners.