

WTR07 Industrial Pressure Transmitter

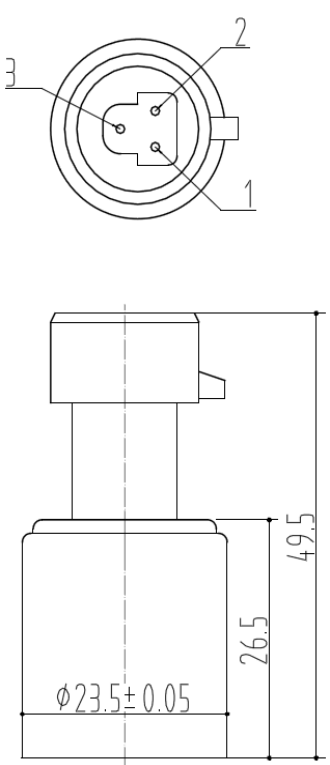
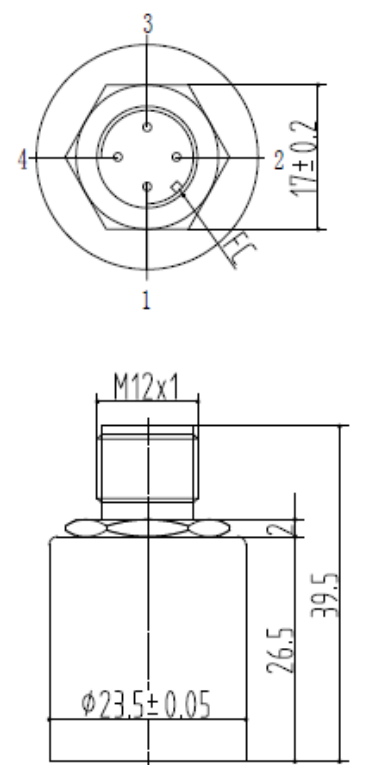
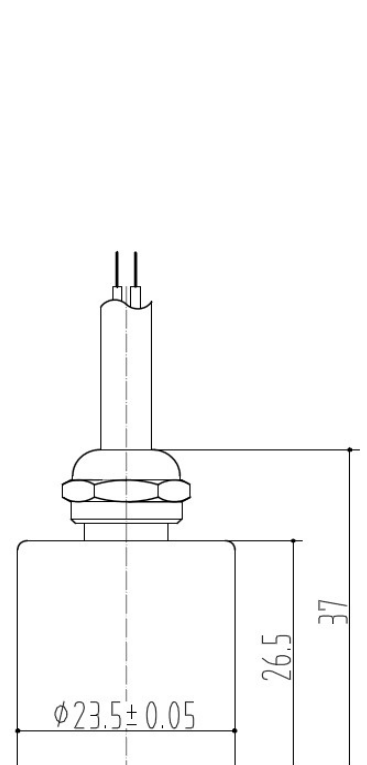
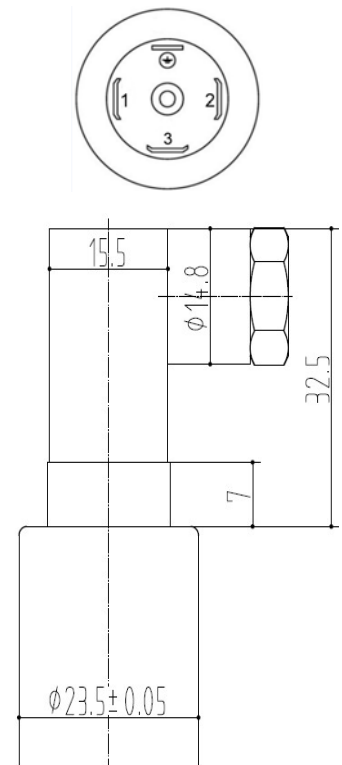


- Piezoresistive silicon chip employed
- Perfect long term stability
- MEMS technology
- CE certificate
- Compact size

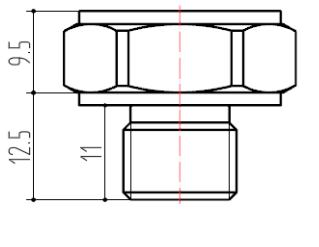
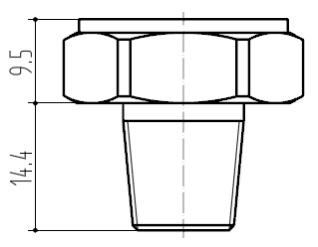
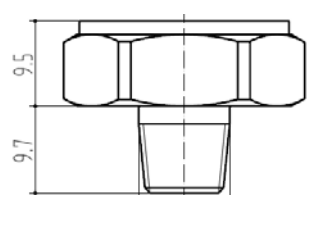
WTR07 Industrial Pressure Transmitter is a standard and most economic transmitter applied in air and liquid pressure measuring.

Pressure	
Nominal Range	20kPa, 35kPa, 70kPa, 100kPa, 250kPa, 400kPa, 600kPa, 1MPa, 1.6MPa, 2.5MPa, 4MPa, 6MPa 10MPa, 16MPa, 25MPa
Pressure Reference	Gauge pressure Absolute pressure Sealed gauge pressure
Overpressure	300%F.S.(≤70kPa) 200%F.S.(≤25MPa)
Output Signal	
Output	4 to 20mA 0.5 to 4.5V 1 to 5V 0 to 5V
Performance	
Accuracy (including linearity, hysteresis and repeatability)	±0.5%F.S. (Typical)
Excitation	24VDC 12VDC 5VDC
Compensated Temp.	-20--85° C (typical)
Operating Temp.	-40-125° C
Storage Temp.	-40-125° C
Zero Temp. Coefficient	±1.5%F.S. max. (-20-85° C)
Span Temp. Coefficient	±1.5%F.S. max. (-20-85° C)
Pressure port	see last page "how to order"
Housing material	Stainless steel 304 (SS316 for sensor inside)
Protection	IP65
Weight	95g(approx)

Electrical Connector

Round Packard		M12x1P		Cable outlet		Mini 4 pin	
							
In mm		In mm		In mm		In mm	
C1		C2		C3		C4	
Current (2 wire)	Voltage (3 wire)	Current (2 wire)	Voltage (3 wire)	Current (2 wire)	Voltage (3 wire)	Current (2 wire)	Voltage (3 wire)
Pin 1 +Excitation Pin2 +Output Pin 3 Pending	Pin 1 +Excitation Pin 2 -Excitation Pin 3 +Output	Pin 1 +Excitation Pin2 +Output Pin 3 Pending Pin 4 Pending	Pin1 +Excitation Pin2 +Output Pin 3 -Excitation Pin 4 Pending	Red: +Excitation Green: +Output	Red +Excitation Green -Excitation Yellow +Output	Pin1 +Excitation Pin2 +Output Pin 3 Pending	Pin1 +Excitation Pin2 -Excitation Pin 3 +Output

Pressure port

Thread	G1/4	1/4-18NPT	1/8-27NT
Dimension in mm Hex 24mm			
Code	P1	P2	P3



Thread	M14×1.5	M12×1.5	1/4-19PT	7/16-20UNF(female)
Dimension in mm Hex 24mm				
Code	P4	P5	P6	P7

How to order

WTR07

XX -

XX -

XX -

XX -

XX -

XX

Pressure range

Please write directly

Pressure reference

- A: absolute pressure
- G: gauge pressure
- S: sealed gauge

Excitation

- E1: 5V DC
- E2: 24V DC
- E3: 12VDC

Pressure connection

- P1: G1/4
- P2: 1/4-18NPT
- P3: 1/8-27NPT
- P4: M14×1.5
- P5: M12×1.5
- P6: 1/4-19PT
- P7: 7/16-20UNF (female)
- P8: others (please specify)

Electrical connection

- C1: Round packard
- C2: M12×1P
- C3: Cable outlet (please write the cable length)
- C4: Mini 4 pin

Output signal

- S1: 4 to 20mA
- S2: 0.5 to 4.5V
- S3: 1 to 5V
- S4: 0 to 5V