

Specifications:

Contact Resistance: 10mΩ max.

Insulator Resistance: 500MΩ min.at DC 500V

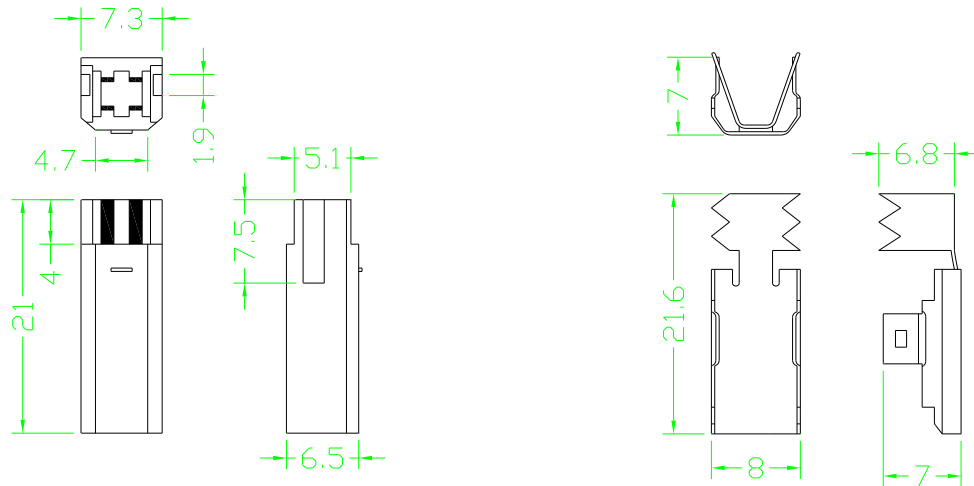
Rated current: 24V DC 1AMP MAX

Dielectric Withstanding:

Voltage: AC 500V For 1 minute

Contact: Brass

Housing: PBT &30% Glass Fiber(UL 94V-0)



设计/Designed by	绘图/Drawing by	审核/Checked by	批准/Approved by	未注公差 General Tolerance	
				x. ±0.2	x.' ±2°
				.x ±0.1	.x' ±1°
				.xx ±0.05	.xx' ±0.5°
				.xxx ±0.01	
				单位/Units: mm	