

Fast Switching Diodes

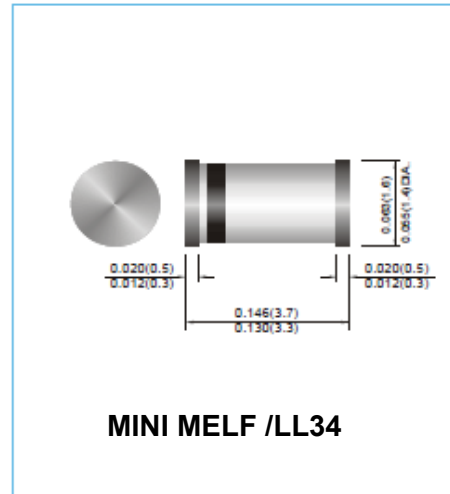
■ Features

- Fast switching speed.
- Surface mount package ideally suited for automatic Insertion.

■ Marking

Cathode Band Only

■ External and internal structure



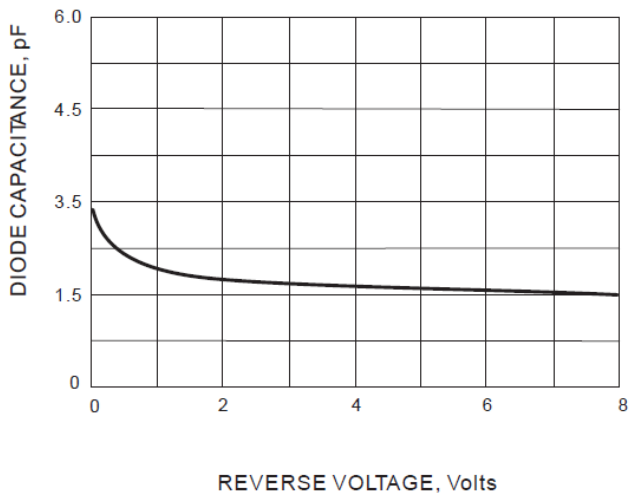
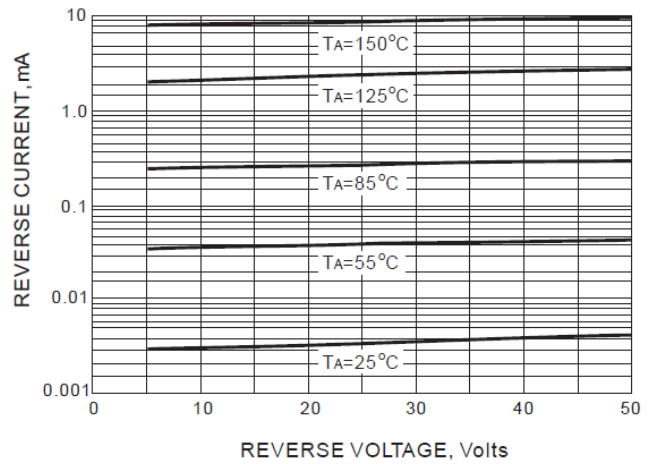
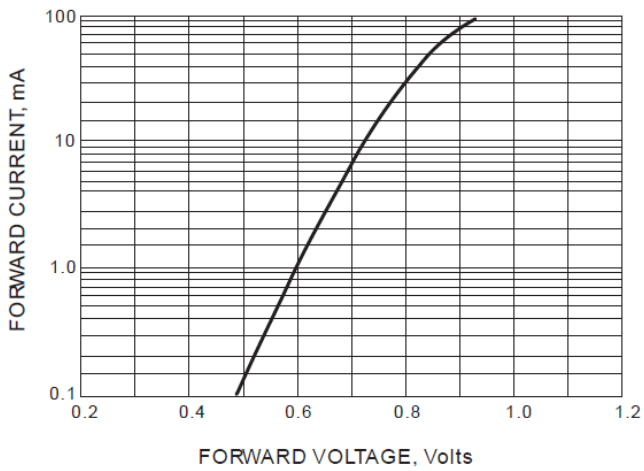
■ Limiting Values (Absolute Maximum Rating)

Item	Symbol	Unit	Conditions	Limit
Peak reverse voltage	V_{RM}	V		100
Maximum DC Blocking Voltage	V_{DC}	V		75
Maximum Average Forward Current at $T_a=25^\circ\text{C}$	I_{FAV}	mA		150
Surge Forward Current at $< 1\text{s}$ and $T_J=25^\circ\text{C}$	I_{FSM}	mA		500
Power dissipation at $T_a=25^\circ\text{C}$	P_{tot}	mW		500
Maximum junction temperature	T_J	$^\circ\text{C}$		175
Storage temperature range	T_{STG}	$^\circ\text{C}$		-65 to 175
Thermal Resistance Junction to Ambient Air	$R_{\theta JA}$	$^\circ\text{C}/\text{W}$		350

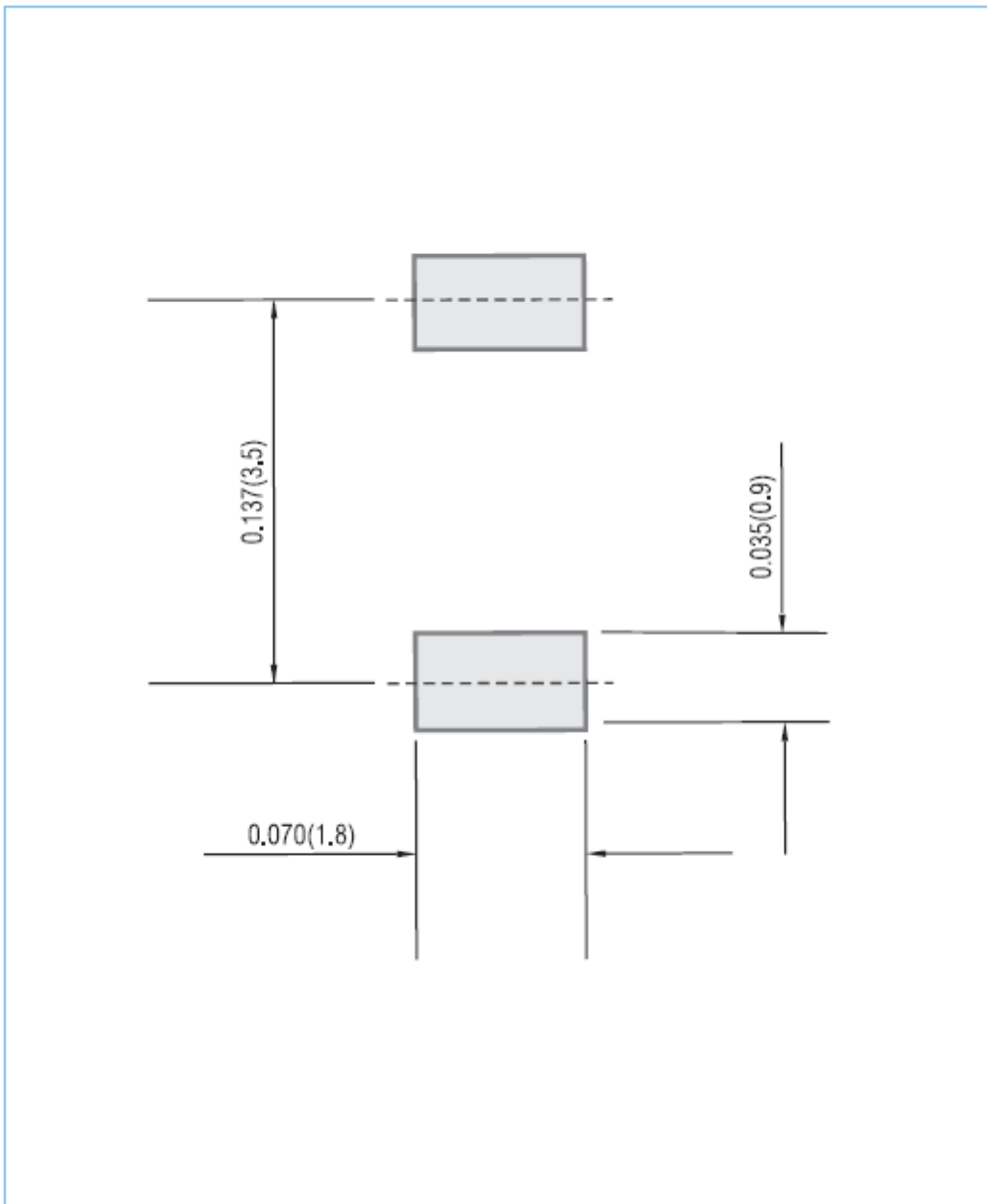
■ Electrical Characteristics ($T_a=25^\circ\text{C}$ Unless otherwise specified)

Item	Symbol	Unit	Conditions	Min	Typ	Max
Forward Voltage	V_F	V	$I_F=100\text{mA}$			1
Reverse Leakage Current	I_{R1}	nA	$V_R=20\text{V}$			25
	I_{R2}	μA	$V_R=20\text{V}, T_J=150^\circ\text{C}$			50
Capacitance	C	pF	$V_R=0\text{V}, f=1\text{MHz}$			4
Reverse Recovery Time	T_{rr}	ns	$I_F=-I_R=10\text{mA}$ to $I_{RR}=-1\text{mA}$, $V_R=6\text{V}$, $R_L=100\Omega$			4

■ Typical Characteristics



■ Mounting Pad Layout



Disclaimer

The information presented in this document is for reference only. Yangzhou Yangjie Electronic Technology Co., Ltd. reserves the right to make changes without notice for the specification of the products displayed herein to improve reliability, function or design or otherwise.

The product listed herein is designed to be used with ordinary electronic equipment or devices, and not designed to be used with equipment or devices which require high level of reliability and the malfunction of which would directly endanger human life (such as medical instruments, transportation equipment, aerospace machinery, nuclear-reactor controllers, fuel controllers and other safety devices), Yangjie or anyone on its behalf, assumes no responsibility or liability for any damages resulting from such improper use of sale.

This publication supersedes & replaces all information previously supplied. For additional information, please visit our website [http:// www.21yangjie.com](http://www.21yangjie.com) , or consult your nearest Yangjie's sales office for further assistance.