



Rectifier Diode Modules

V_{RRM} 800 to 1800V

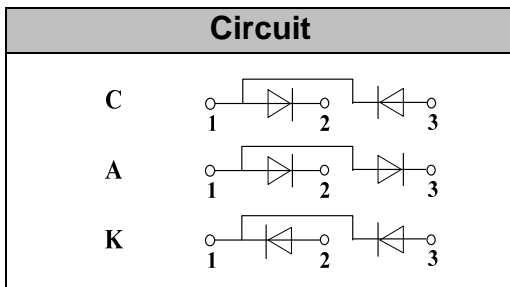
I_{FAV} 600 A

Applications

- Non-controllable rectifiers for AC/AC converters
- Line rectifiers for transistorized AC motor controllers
- Field supply for DC motors

Features

- Blocking voltage: 800 to 1800V
- Heat transfer through aluminum oxide ceramic isolated metal baseplate



Module Type

TYPE			V _{RRM}	V _{RSM}
MD600C08D5	MD600A08D5	MD600K08D5	800V	900V
MD600C12D5	MD600A12D5	MD600K12D5	1200V	1300V
MD600C16D5	MD600A16D5	MD600K16D5	1600V	1700V
MD600C18D5	MD600A18D5	MD600K18D5	1800V	1900V

Maximum Ratings

Symbol	Conditions	Values	Units
I _{FAV}	Single phase ,half wave 180° conduction T _c =85°C	600	A
I _{FSM}	t=10mS T _{vj} =45°C	22000	A
i ² t	t=10mS T _{vj} =45°C	2420000	A ² s
V _{isol}	a.c.50HZ;r.m.s.;1min	3000	V
T _{vj}		-40 to 150	°C
T _{stg}		-40 to 125	°C
M _t	To terminals(M10)	9±15%	Nm
M _s	To heatsink(M6)	5±15%	Nm
Weight	Module (Approximately)	2050	g

Thermal Characteristics

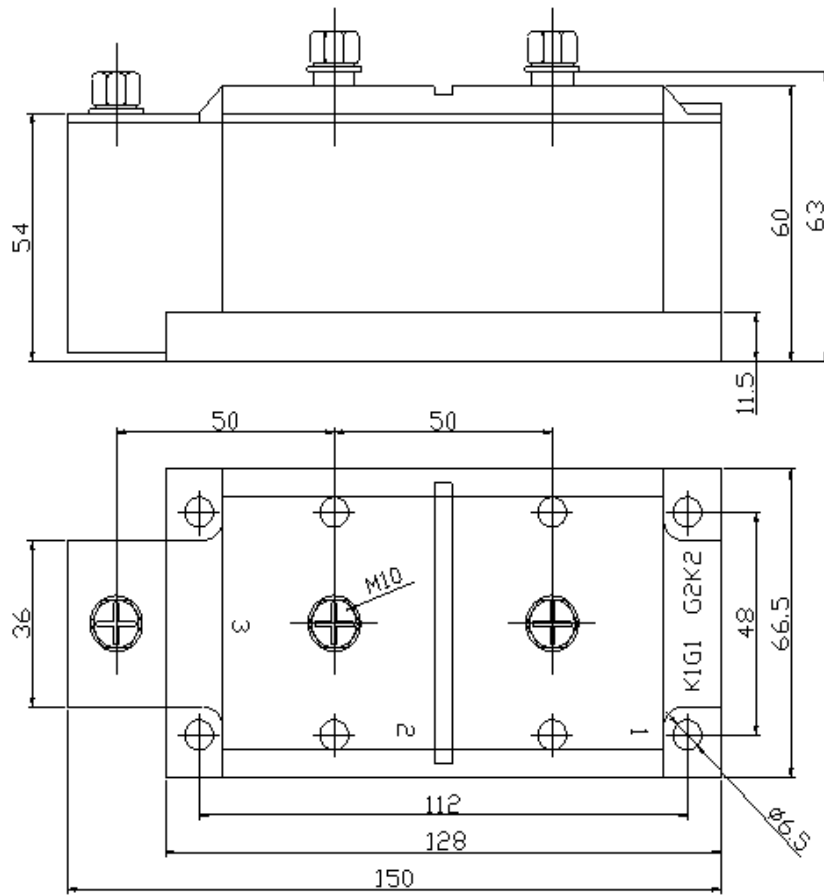
Symbol	Conditions	Values	Units
R _{th(j-c)}	Per diode	0.04	°C/W
R _{th(c-s)}	Module	0.015	°C/W

Electrical Characteristics

Symbol	Conditions	Values			Units
		Min.	Typ.	Max.	
V _{FM}	T=25°C I _F =1800A	—	—	1.8	V
I _{RD}	T _{vj} =T _{vjM} V _{RD} =V _{RRM}	—	—	25	mA

Package Outline Information

CASE: D5



Dimensions in mm