

## FRED Modules



**V<sub>RRM</sub>** 1200V

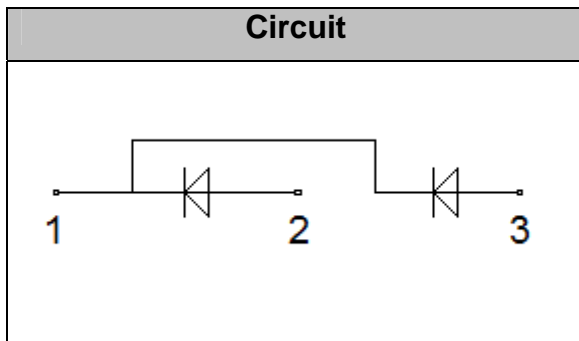
**I<sub>FAV</sub>** 200 A

### Applications

- Inversion Welder
- Uninterruptible Power Supply (UPS)
- Plating Power Supply
- Ultrasonic Cleaner and Welder
- Power Factor Correction (PFC) Circuit
- Converter & Chopper

### Features

- Soft Reverse Recovery Characteristics
- Ultrafast Reverse Recovery Time
- Low Reverse Recovery Loss
- Low Forward Voltage
- High Surge Current Capability
- Low Inductance Package



## Maximum Ratings

Symbol	Conditions	Values	Units
V <sub>R</sub>		1200	V
V <sub>RRM</sub>		1200	V
I <sub>F(AV)</sub>	T <sub>C</sub> =110°C, Per Diode	200	A
	T <sub>C</sub> =120°C, 20KHz, Per Diode	150	A
I <sub>F(RMS)</sub>	T <sub>C</sub> =110°C, Per Diode	280	A
I <sub>FSM</sub>	1/2 Cycle, 50Hz, Sine	1800	A
	1/2 Cycle, 60Hz, Sine	1975	A
I <sup>2</sup> t	T <sub>J</sub> =45°C, t=10ms, 50Hz, Sine	16200	A <sup>2</sup> s
	T <sub>J</sub> =45°C, t=8.3ms, 60Hz, Sine		
P <sub>D</sub>		568	W
Visol	AC, Ton=1min	3000	V
T <sub>J</sub>		-40 to +150	°C
T <sub>STG</sub>		-40 to +125	°C
Torque	Recommended (M6)	4.5	N·m
Torque	Recommended (M6)	4.5	N·m
Weight		160	g

## Thermal Characteristics

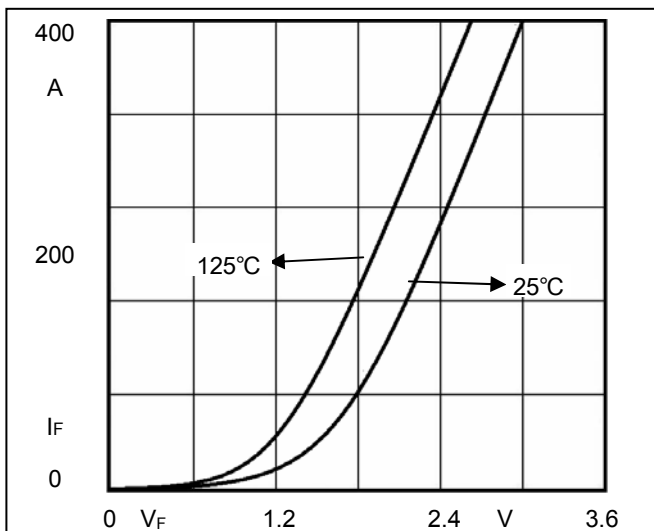
Symbol	Conditions	Values	Units
R <sub>th(j-c)</sub>	Junction-to-Case	0.22	°C/W



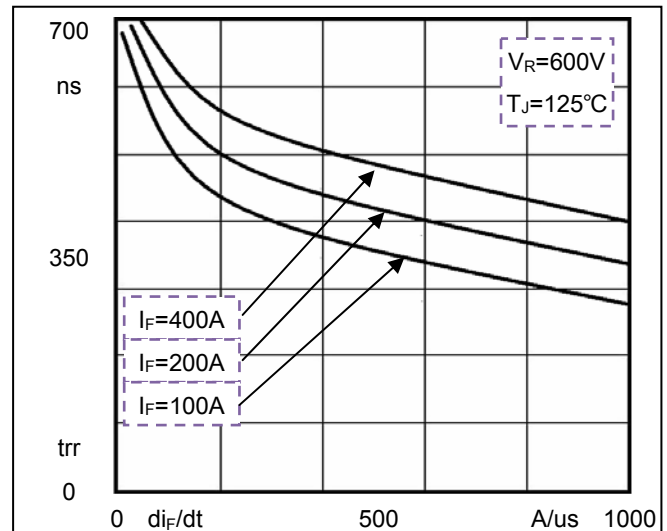
**Electrical Characteristics**

Symbol	Conditions	Values			Units
		Min.	Typ.	Max.	
$I_{RM}$	$V_R=1200V$	--	--	1	mA
	$V_R=1200V, T_J=125^\circ C$	--	--	5	mA
$V_F$	$I_F=200A$	--	2.3		V
	$I_F=200A, T_J=125^\circ C$	--	1.9		V
$t_{rr}$	$I_F=1A, V_R=30V, di_F/dt=-200A/\mu s$	--	57	--	ns
$t_{rr}$	$V_R=600V, I_F=200A, di_F/dt=-200A/\mu s, T_J=25^\circ C$	--	110	--	ns
$I_{RRM}$		--	9	--	A
$t_{rr}$	$V_R=600V, I_F=200A, di_F/dt=-200A/\mu s, T_J=125^\circ C$	--	500	--	ns
$I_{RRM}$		--	21	--	A

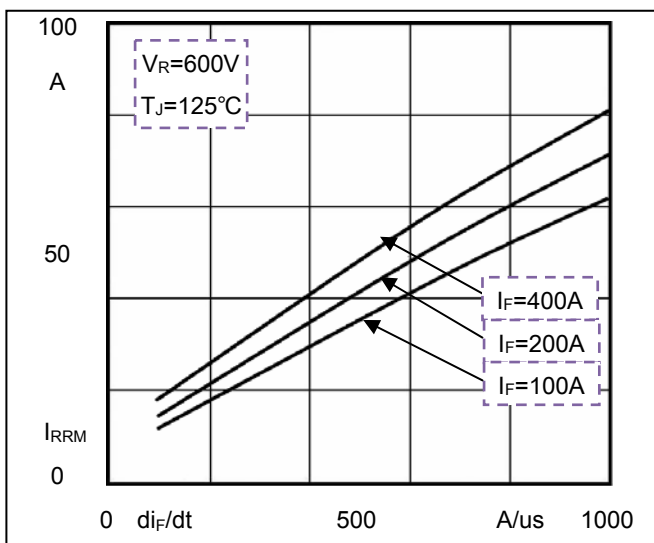
**Performance Curves**



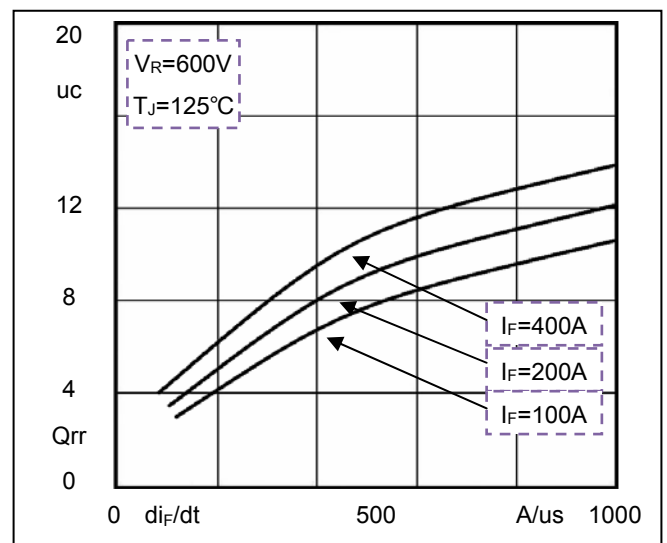
**Fig1. Forward Voltage Drop vs Forward Current**



**Fig2. Reverse Recovery Time vs  $di_F/dt$**



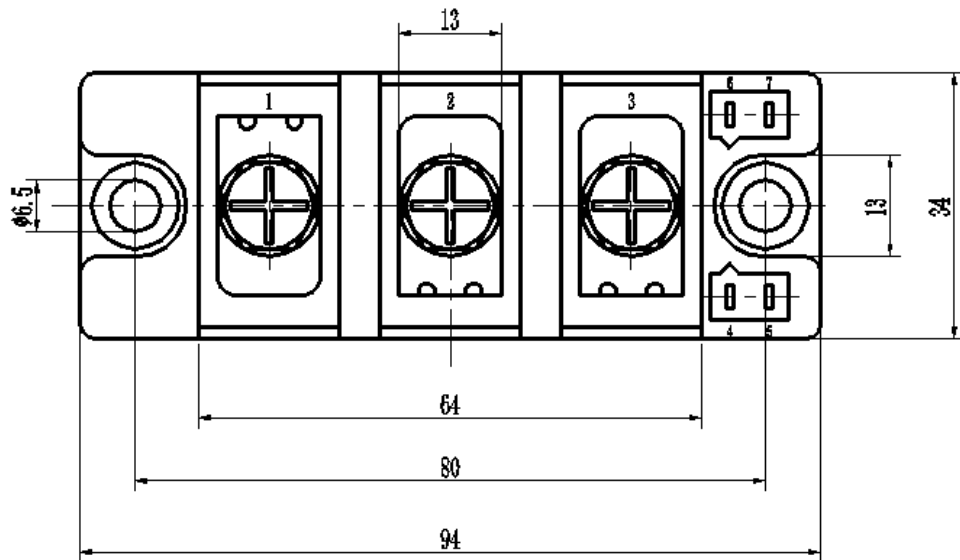
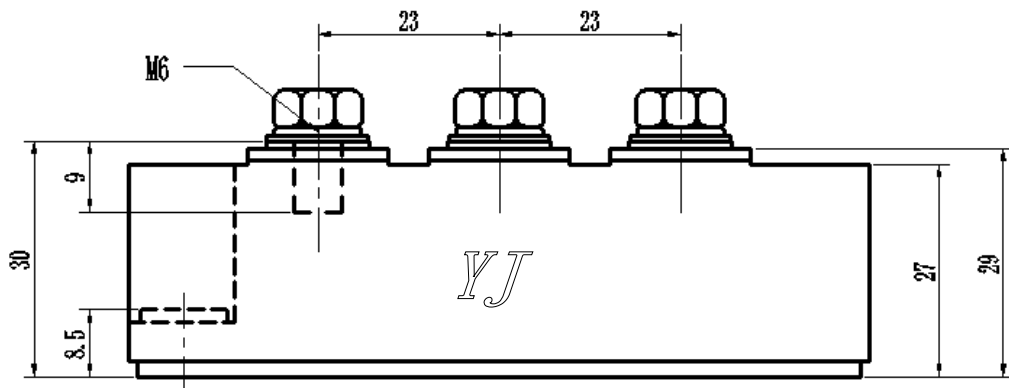
**Fig3. Reverse Recovery Current vs  $di_F/dt$**



**Fig4. Reverse Recovery Charge vs  $di_F/dt$**

## Package Outline Information

CASE: F2



Dimensions in mm