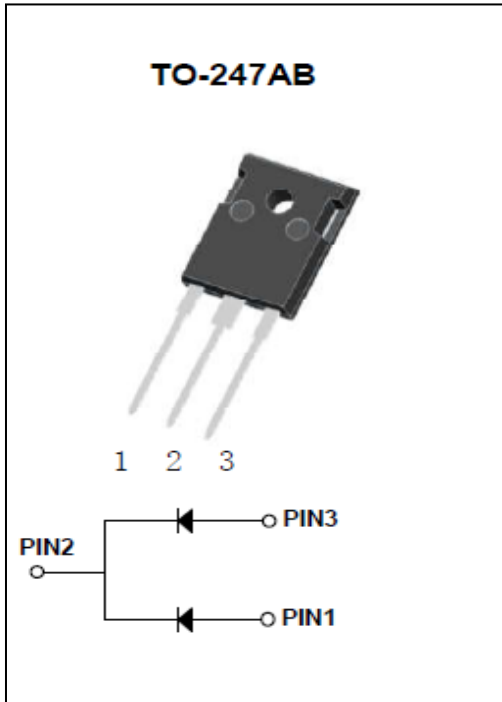


Plastic-Encapsulate Transistors



■Features

- High efficiency.
- Soft recovery characteristics.
- Beautiful High Temperature Character.
- High Reliability.
- RoHs Product.

■Applications

- High voltage high frequency switching mode power supplies.
- High voltage high frequency power factor correctors.

■Marking MUR3060PT

■Limiting Values (Absolute Maximum Rating, $T_a=25^{\circ}\text{C}$ Unless otherwise specified)

Item	Symbol	Unit	Conditions	Data
Maximal Inverted Repetitive Peak Voltage	VRRM	V		600
*Average Rectified Forward Current	IFAV	A	Rated VR-20Khz Square Wave - 50% duty cycle	30
MAX. Reverse Recovery Time	TRR	nS	IF=0.5A IR=1.0A IREC=0.25A	50
Typical Thermal Resistance Package =TO-247AB (per leg)	R θ Jc	$^{\circ}\text{C}/\text{W}$		0.5
Forward Peak Surge Current	IFSM	A	Rated Load 8.3 Half Mssine Wave-According to JEDEC Method	200
Maximum Rate of Voltage Change (at Rated VR)	dv/dt	V/uS		10000
Operating Junction Temperature	TJ	$^{\circ}\text{C}$		-40- +150
Storage Temperature	TSTG	$^{\circ}\text{C}$		-40- +150

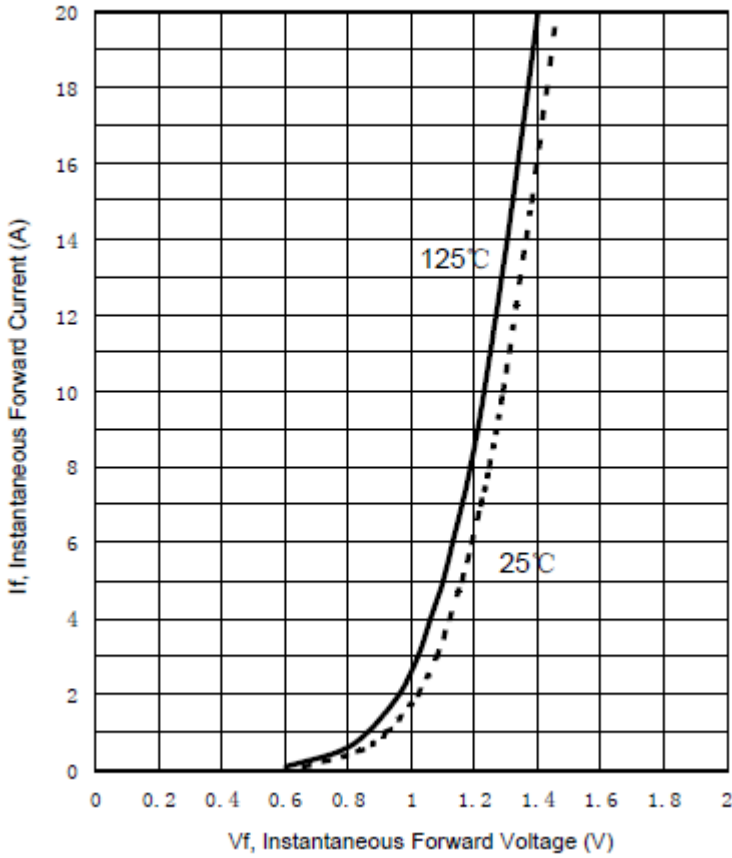
*IF(AV)= 15A \times 2

■Electrical Characteristics ($T_a=25^{\circ}\text{C}$ Unless otherwise specified)

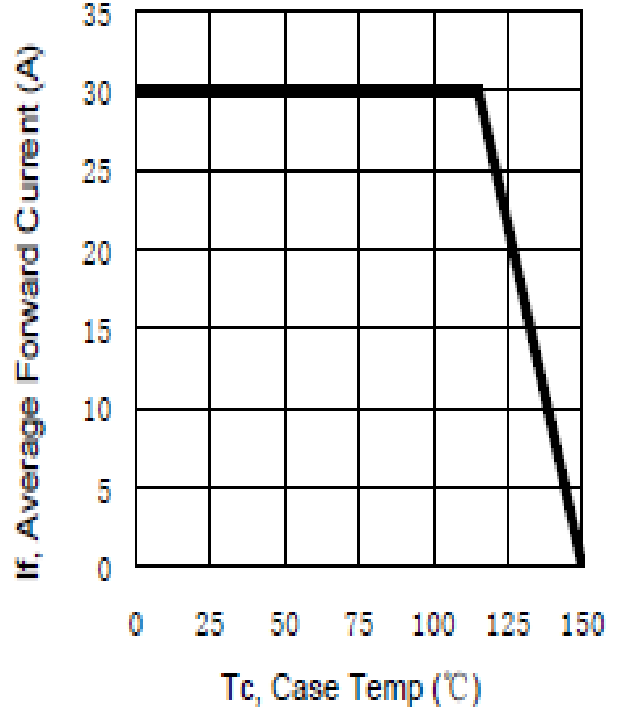
Item	Test Condition		TYP.	MAX.	Unit
IR	TJ =25 $^{\circ}\text{C}$	VR=VRRM		0.05	mA
	TJ =125 $^{\circ}\text{C}$			25	mA
VF	TJ =25 $^{\circ}\text{C}$	IF=15A	1.4	1.7	V
	TJ =125 $^{\circ}\text{C}$	IF=15A		1.3	V

■ Characteristics(Typical)

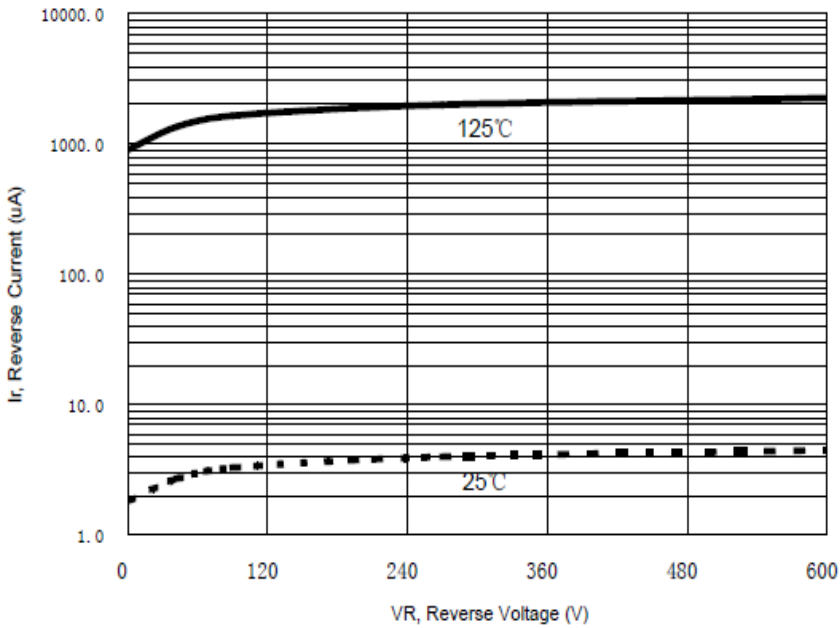
The forward voltage and forward current curve



Current derating curve, per element

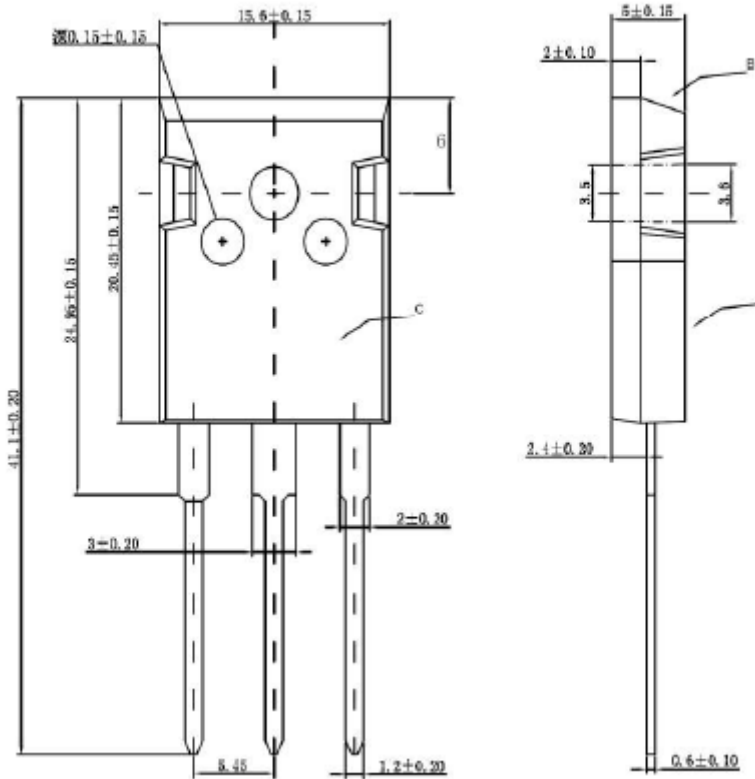


The reverse leak current and the reverse voltage (single-device) curve.



■ Plastic surface mounted package

TO-247AB



■ Packing Information

Device	Package	Shipping
MUR3060PT	TO-247AB	30 pieces / tube

Disclaimer

The information presented in this document is for reference only. Yangzhou Yangjie Electronic Technology Co., Ltd. reserves the right to make changes without notice for the specification of the products displayed herein to improve reliability, function or design or otherwise.

The product listed herein is designed to be used with ordinary electronic equipment or devices, and not designed to be used with equipment or devices which require high level of reliability and the malfunction of which would directly endanger human life (such as medical instruments, transportation equipment, aerospace machinery, nuclear-reactor controllers, fuel controllers and other safety devices), Yangjie or anyone on its behalf, assumes no responsibility or liability for any damages resulting from such improper use of sale.

This publication supersedes & replaces all information previously supplied. For additional information, please visit our website <http://www.21yangjie.com>, or consult your nearest Yangjie's sales office for further assistance.